

HandiSOLUTIONS[®]

ORGANIZE YOUR CLIENTS ONE SPACE AT A TIME

2024





HandiSOLUTIONS®

Complete storage and organization systems for garages, utility and laundry rooms, and even basements to fit all of your customers' needs, directly from a single source.

We offer an extensive line of accessories to cover every application and need for all of your storage solutions.

HandiSOLUTIONS®
Billing Address
1940 Lunt Avenue
Elk Grove Village, IL 60007

Shipping Address
320 County Line Road
Bensenville, IL 60106

info@handisolutions.com
847-640-4732
www.handisolutions.com

Table of Contents

HandiWALL®

HandiWALL®	3-5
HandiSCREWS™	6-7
Handi Color Strips	8
HandiTRIM™	9-10

HandiACCESSORIES™

Baskets	11-13
Garden Accessories	14
Hooks	15-19
Miscellaneous	20-21
Shelves	22-25
Sports	26-29
Storage Bins	30-35
Tool Storage	36-37
Work Shop	38
Accessory Clips	39

Handi Tool Rail

Handi Tool Rail	40
-----------------	----

Crystal Series

Crystal Series	41-44
----------------	-------

HandiKITS™

Starter Kits	45
Accessory Kits	46-48

HandiSPACES™ Kits

Framed HandiWALL® Kits	49
Handi Tool Rail Kits	50-52

HandiWALL® in Retail & Manufacturing

HandiWALL® vs. MDF Slatwall	53
HandiWALL® in Retail	54-56
HandiWALL® in Manufacturing	57

Information

Ordering Information	58
----------------------	----

HandiWALL®



HandiWALL® is the cellular PVC slatwall designed to organize your life. Used as a complete wall or as a complement to your existing home storage, HandiWALL® allows a flexible layout that easily adapts to your storage needs.

Keep the garage clean by hanging everything from power tools, sports equipment, rakes, and bicycles on the HandiWALL® system.

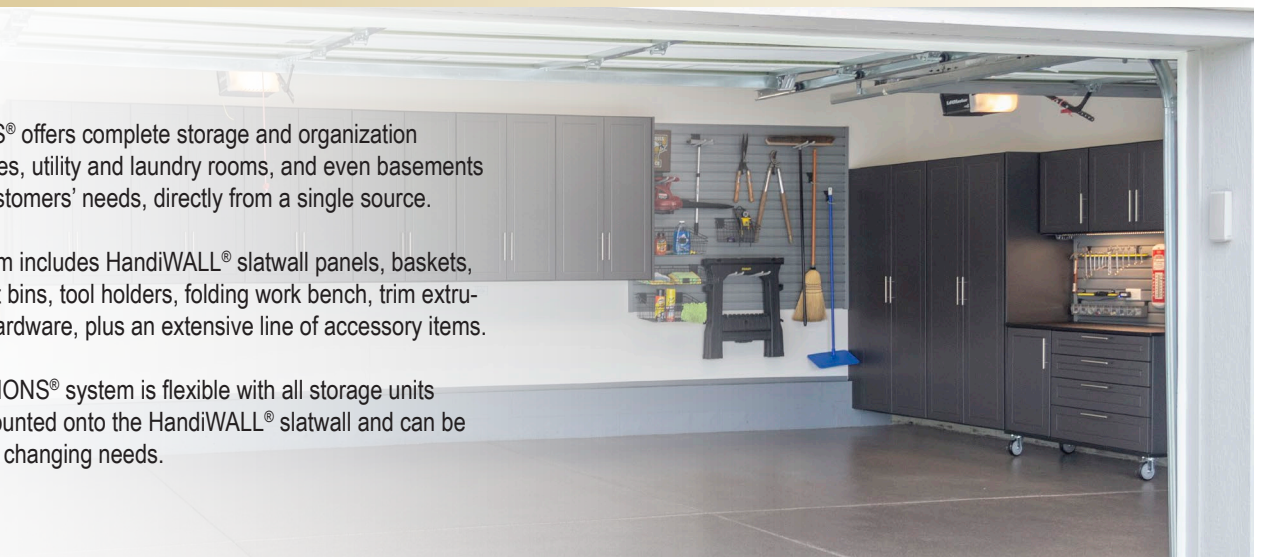
If the wall gets dirty, spray it down with a hose. HandiWALL® is impervious to water and the unique profile prevents water from pooling at the bottom of the slat.

HandiWALL® *in Homes*

HandiSOLUTIONS® offers complete storage and organization systems for garages, utility and laundry rooms, and even basements to fit all of your customers' needs, directly from a single source.

Our storage system includes HandiWALL® slatwall panels, baskets, hooks, shelves, tilt bins, tool holders, folding work bench, trim extrusions, mounting hardware, plus an extensive line of accessory items.

The HandiSOLUTIONS® system is flexible with all storage units designed to be mounted onto the HandiWALL® slatwall and can be easily moved to fit changing needs.



HandiWALL® *in Retail*



Create custom displays and unique environments to display a vast array of products. HandiWALL®, along with the extensive line of accessories and products we carry, offers convenient product marketing.

With our versatile HandiWALL® system, it is easy to design a simple commercial look or create a high end retail design for product merchandising.

HandiWALL®



White



Taupe



Gray



Black



Graphite



Beachwood



Driftwood Slate



HandiWALL®



Manufactured in the **USA** with blended Cellular PVC material that has a flame retardant rating of 94 V-O



Scratch resistant with normal use, surface scratches are less noticeable due to the material color is throughout the product

32 sq.ft.

4 panels per carton in 8' lengths, 8 panels per carton in 4' lengths = 32 square feet



Color coordinated installation screws and trim available



Color-matched color strips allow the screws to be completely hidden



Smooth satin finish gives high end aesthetic appeal



Compatible with standard 3" on center slatwall accessories



Strong and durable, while being water and moisture resistant and easy to clean



Custom lengths available

HandiWALL® Technical and Quality Attributes



Meets our **ISO** Certified manufacturing process and is quality tested to be compliant with the ISO 9001:2015 standard



Fire tested by an independent laboratory (ASTM E84 Test) ranks HandiWALL® in Grade A (index of 15) for flame spread

3"
OC

3" on center slats, 12¼" high (includes ¼" for tongue and groove connection)

- Length, Form, Fit and Function including shape of slats, connection of panels, assembly of slatwall accessories
- Incoming Quality Control for color and materials requirements for lot consistency
- Strength testing every production run via in-house calibrated fixture
- First piece inspection to match control plan specifications
- Product is measured for conformity to requirements:
 - › Final Audit of manufactured product
 - › In Process inspections
 - › Color match
 - › Length
- Max weight load of HandiWALL® is 100lbs/ft when a screw is driven into each slot and into each stud in the wall

4-Foot HandiWALL® (32 Sq. Ft.)

PART #	DESCRIPTION	QTY
HSW1004	12" x 4' - White	8
HSW2004	12" x 4' - Taupe	8
HSW3004	12" x 4' - Gray	8
HSW4004	12" x 4' - Black	8
HSW13004	12" x 4' - Graphite	8
HSW14004	12" x 4' - Beachwood	8
HSW17004	12" x 4' - Driftwood Slate	8

80" HandiWALL® (33.33 Sq. Ft.)

PART #	DESCRIPTION	QTY
HSW1080	12" x 80" - White	5
HSW2080	12" x 80" - Taupe	5
HSW3080	12" x 80" - Gray	5
HSW4080	12" x 80" - Black	5
HSW13080	12" x 80" - Graphite	5
HSW14080	12" x 80" - Beachwood	5
HSW17080	12" x 80" - Driftwood Slate	5

8-Foot HandiWALL® (32 Sq. Ft.)

PART #	DESCRIPTION	QTY
HSW1008	12" x 8' - White	4
HSW2008	12" x 8' - Taupe	4
HSW3008	12" x 8' - Gray	4
HSW4008	12" x 8' - Black	4
HSW13008	12" x 8' - Graphite	4
HSW14008	12" x 8' - Beachwood	4
HSW17008	12" x 8' - Driftwood Slate	4

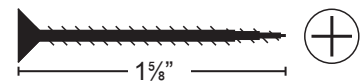


Screws

We offer a variety of steel screws in different colors, sizes and types for all HandiWALL® applications. Select from our drywall screws and flat head Tapcon screws ranging from 1½" up to 2½" inches. We color match the screws to the varied HandiWALL® colors to ensure a seamless application and overall appearance. Their steel construction ensures a heavy-duty installation.

1½" Drywall Screws

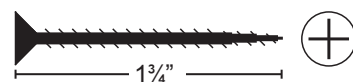
PART #	DESCRIPTION	QTY
HSWS100W	Drywall Screw 1½", White	1000
HSWS100TBK	Drywall Screw 1½", White	100
HSWS200T	Drywall Screw 1½", Taupe	1000
HSWS200TBK	Drywall Screw 1½", Taupe	100
HSWS300G	Drywall Screw 1½", Gray	1000
HSWS300TBK	Drywall Screw 1½", Gray	100
HSWS400B	Drywall Screw 1½", Black	1000
HSWS400BTBK	Drywall Screw 1½", Black	100
HSWS1308G	Drywall Screw 1½", Graphite	1000
HSWS1308GTBK	Drywall Screw 1½", Graphite	100
HSWS1400BW	Drywall Screw 1½", Beachwood	1000
HSWS1400BWTBK	Drywall Screw 1½", Beachwood	100
HSWS1700S	Drywall Screw 1½", Driftwood Slate	1000
HSWS1700STBK	Drywall Screw 1½", Driftwood Slate	100



HandiSCREWS™

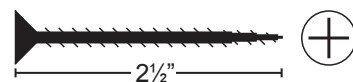
1 3/4" Tapcon® Screws

PART #	DESCRIPTION	QTY
HSWS100WTC	Flat Head Tapcon® 3/16" x 1 3/4", White	1000
HSWS100WTCBK	Flat Head Tapcon® 3/16" x 1 3/4", White	100
HSWS200TTC	Flat Head Tapcon® 3/16" x 1 3/4", Taupe	1000
HSWS200TTCBK	Flat Head Tapcon® 3/16" x 1 3/4", Taupe	100
HSWS300GTC	Flat Head Tapcon® 3/16" x 1 3/4", Gray	1000
HSWS300GTCBK	Flat Head Tapcon® 3/16" x 1 3/4", Gray	100
HSWS400BTC	Flat Head Tapcon® 3/16" x 1 3/4", Black	1000
HSWS400BTCBK	Flat Head Tapcon® 3/16" x 1 3/4", Black	100
HSWS1308GTC	Flat Head Tapcon® 3/16" x 1 3/4", Graphite	1000
HSWS1308GTCBK	Flat Head Tapcon® 3/16" x 1 3/4", Graphite	100
HSWS1400BWTC	Flat Head Tapcon® 3/16" x 1 3/4", Beachwood	1000
HSWS1400BWTCBK	Flat Head Tapcon® 3/16" x 1 3/4", Beachwood	100
HSWS1700DTC	Flat Head Tapcon® 3/16" x 1 3/4", Driftwood Slate	1000
HSWS1700DTCBK	Flat Head Tapcon® 3/16" x 1 3/4", Driftwood Slate	100



2 1/2" Drywall Screws

PART #	DESCRIPTION	QTY
HSWS125W	Drywall Screw 2 1/2", White	1000
HSWS225T	Drywall Screw 2 1/2", Taupe	1000
HSWS325G	Drywall Screw 2 1/2", Gray	1000
HSWS425B	Drywall Screw 2 1/2", Black	1000
HSWS1325G	Drywall Screw 2 1/2", Graphite	1000
HSWS1425BW	Drywall Screw 2 1/2", Beachwood	1000
HSWS1725S	Drywall Screw 2 1/2", Driftwood Slate	1000



Handi Color Strips



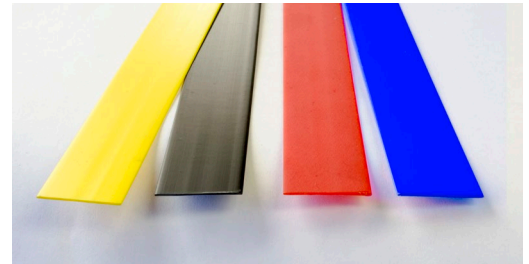
Color Strips

Color strips are a fantastic way to add an appealing accent color to any size section of HandiWALL®. And with the addition of Color Strips to match the color of the HandiWALL®, you can completely hide the screw. Great for retail branding or enhancing the look of any garage or residential space.

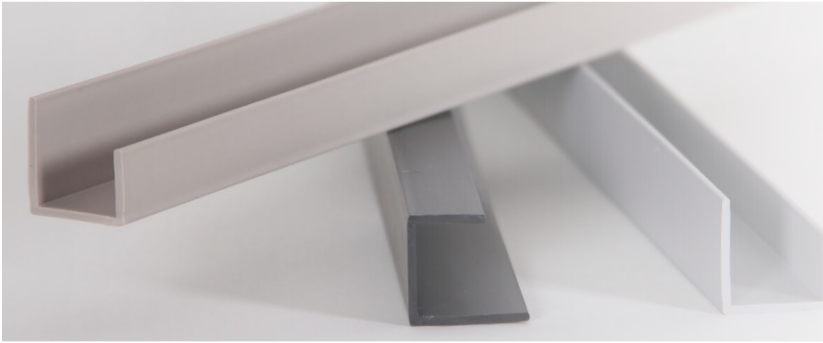
Simply remove the adhesive backing and push the color strips into the HandiWALL® grooves. Color strips will not affect installation of accessories.

Handi Color Strips

PART #	DESCRIPTION	QTY
HSCST1008-30	Handi Color Strip, White, 96"	30
HSCST2008-30	Handi Color Strip, Taupe, 96"	30
HSCST3008-30	Handi Color Strip, Gray, 96"	30
HSCST4008-30	Handi Color Strip, Black, 96"	30
HSCST9008-30	Handi Color Strip, Orange, 96"	30
HSCST10008-30	Handi Color Strip, Red, 96"	30
HSCST13008-30	Handi Color Strip, Graphite, 96"	30
HSCST14008-30	Handi Color Strip, Beachwood, 96"	30
HSCST16008-30	Handi Color Strip, Yellow, 96"	30
HSCST17008-30	Handi Color Strip, Driftwood Slate, 96"	30
HSCST20008-30	Handi Color Strip, Blue, 96"	30



HandiTRIM™



Trim Extrusions

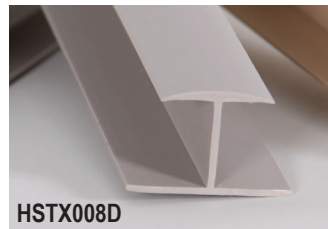
We offer a wide array of extrusions to finish off the HandiWALL® installation.

Parts are made to frame out your wall, eliminate seams and make 90 degree angle connections more cosmetically appealing.

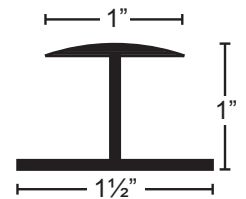
Division Molding

PART #	DESCRIPTION	QTY
HST1096D	Division Molding, White 96"	10
HST2096D	Division Molding, Taupe 96"	10
HST3096D	Division Molding, Gray 96"	10
HST4096D	Division Molding, Black 96"	10
HST13096D	Division Molding, Graphite 96"	10
HST14096D	Division Molding, Beachwood 96"	10
HST17096D	Division Molding, Driftwood Slate 96"	10

Note: For use to hide the seam between two panels.



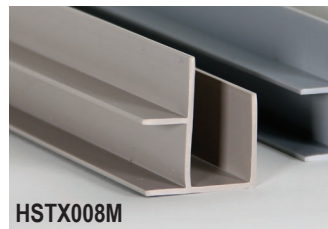
HSTX008D



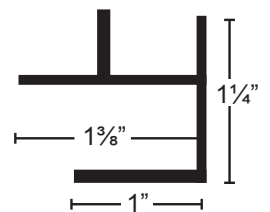
Inside/Outside Corner Molding

PART #	DESCRIPTION	QTY
HST1096M	Inside/Outside Corner Molding, White 96"	6
HST2096M	Inside/Outside Corner Molding, Taupe 96"	6
HST3096M	Inside/Outside Corner Molding, Gray 96"	6
HST4096M	Inside/Outside Corner Molding, Black 96"	6
HST13096M	Inside/Outside Corner Molding, Graphite 96"	6
HST14096M	Inside/Outside Corner Molding, Beachwood 96"	6
HST17096M	Inside/Outside Corner Molding, Driftwood Slate 96"	6

Note: For use to hide the seam in a 90-degree corner.



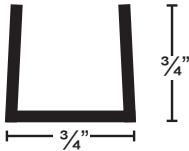
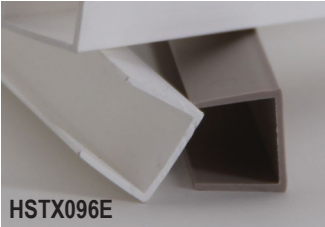
HSTX008M



Indented Edge Cap

PART #	DESCRIPTION	QTY
HST1096E	Indented Edge Cap, White 96"	16
HST2096E	Indented Edge Cap, Taupe 96"	16
HST3096E	Indented Edge Cap, Gray 96"	16
HST4096E	Indented Edge Cap, Black 96"	16
HST13096E	Indented Edge Cap, Graphite 96"	16
HST14096E	Indented Edge Cap, Beachwood 96"	16
HST17096E	Indented Edge Cap, Driftwood Slate 96"	16

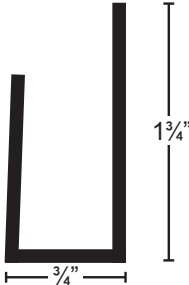
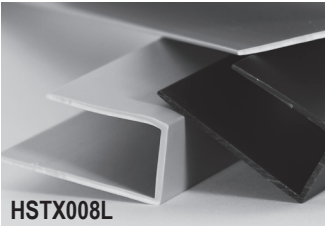
Note: Indented Edge Cap will not work on the top due to the male end of the HandiWALL®. Best use for trimming around light switches or windows.



Large J Molding

PART #	DESCRIPTION	QTY
HST1096L	Large J Molding, White 96"	8
HST2096L	Large J Molding, Taupe 96"	8
HST3096L	Large J Molding, Gray 96"	8
HST4096L	Large J Molding, Black 96"	8
HST13096L	Large J Molding, Graphite, 96"	8
HST14096L	Large J Molding, Beachwood, 96"	8
HST17096L	Large J Molding, Driftwood Slate 96"	8
HST1120L	Large J Molding, White 120"	8
HST2120L	Large J Molding, Taupe 120"	8
HST3120L	Large J Molding, Gray 120"	8
HST4120L	Large J Molding, Black 120"	8

Note: Our most popular trim and recommended for all four outsides of the HandiWALL®.



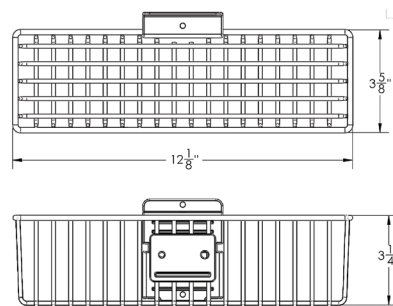
HandiACCESSORIES™



Baskets

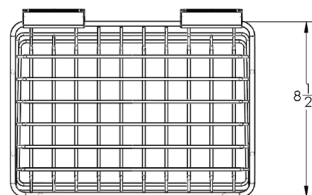
Made from durable powder coated steel, our baskets are designed to easily secure to our HandiWALL®.

We offer four different sizes for added convenience, and offer endless storage configurations. Weight capacity varies by size.

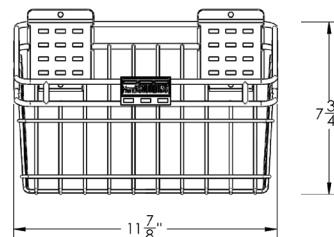


Max Weight Load: 20 lbs.

PART #	DESCRIPTION	Carton Weight	Carton L x W x H	QTY
HSB0312B	3" x 12" Basket	7 lbs.	13" x 12" x 8"	6

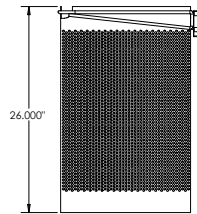
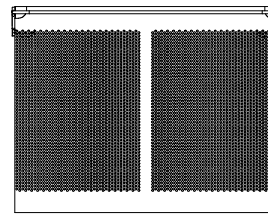
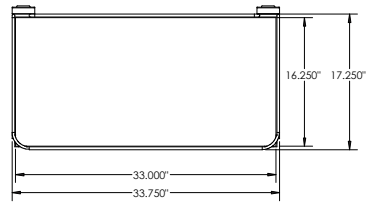


Max Weight Load: 40 lbs.



PART #	DESCRIPTION	Carton Weight	Carton L x W x H	QTY
HSB0812B	8" x 12" Basket	12 lbs.	19" x 12" x 9 1/2"	4

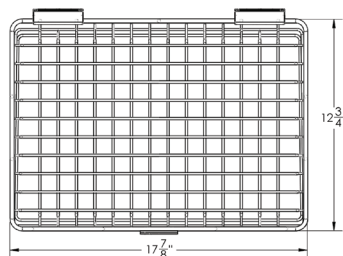
HandiACCESSORIES™



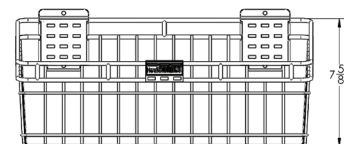
Contents can be easily accessed from the top or the front where the mesh slides open.

PART #	DESCRIPTION	Carton Weight	Carton L x W x H	QTY
HSLSB3426B	Handi Mesh Large Storage Basket, 34" x 26"	20 lbs.	35" x 19" x 5"	1

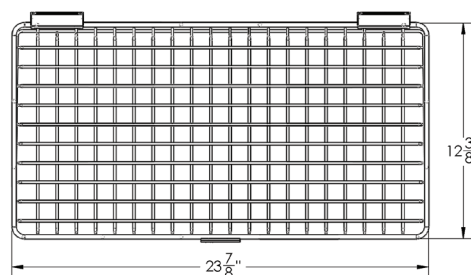
HandiACCESSORIES™



Max Weight Load: 60 lbs.



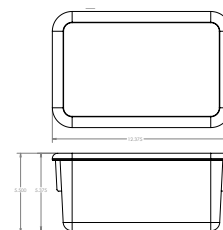
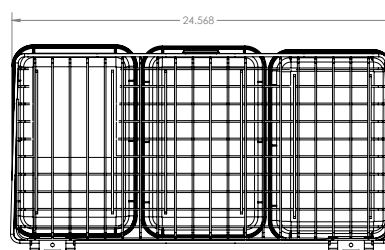
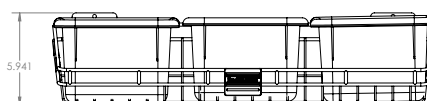
PART #	DESCRIPTION	Carton Weight	Carton L x W x H	QTY
HSB1218B	12" x 18" Basket	18 lbs.	13½" x 19" x 19"	4



Max Weight Load: 60 lbs.



PART #	DESCRIPTION	Carton Weight	Carton L x W x H	QTY
HSB1224B	12" x 24" Basket	18 lbs.	15" x 25" x 12"	4



Max Weight Load: 60 lbs. (shelf)

PART #	DESCRIPTION	Carton Weight	Carton L x W x H	QTY
HSBMBK	Handi Basket-Mini Bin Kit	9 lbs.	21" x 14" x 7"	1
HSMB3PK	Mini Bin 3 Pack	6 lbs.	13" x 11" x 14"	3

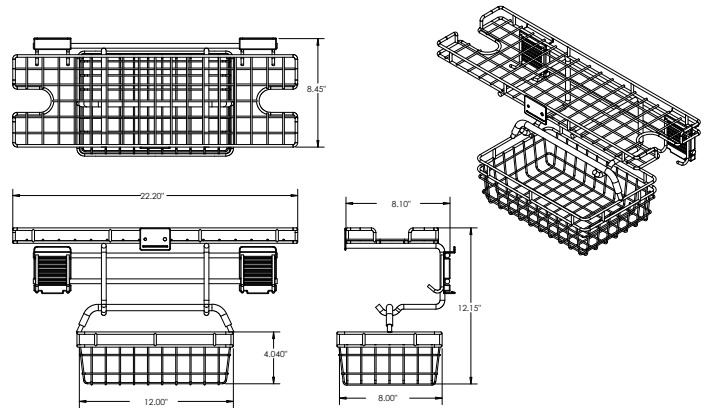
HandiACCESSORIES™



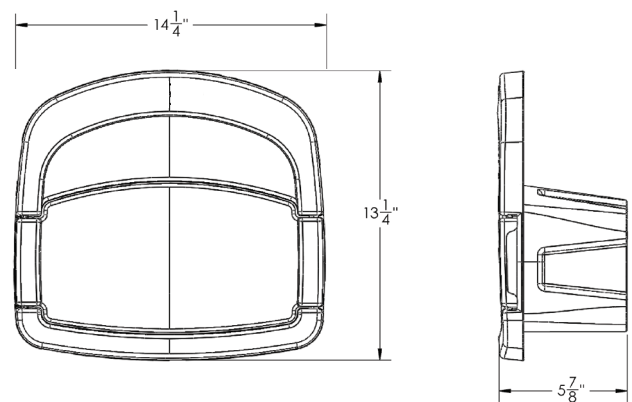
Garden Center

Made of powder coated steel, our garden center is designed to carry your tools to where you need them with its detachable hanging basket. Group all of your tools by adding the wall mount hose holder.

It has 150' of 5/8" hose capacity, comes fully assembled and has an enclosed storage compartment for watering accessories. Mounts securely to HandiWALL®.



PART #	DESCRIPTION	Carton Weight	Carton L x W x H	QTY
HSGCNL	Garden Center	36 lbs.	24" x 23" x 19"	4



PART #	DESCRIPTION	Carton Weight	Carton L x W x H	QTY
HSHHLD*	Wall Mount Hose Holder, Taupe	8 lbs.	14 1/2" x 15 1/2" x 15 1/2"	4

*Requires HSHN3PAC for attachment to wall.

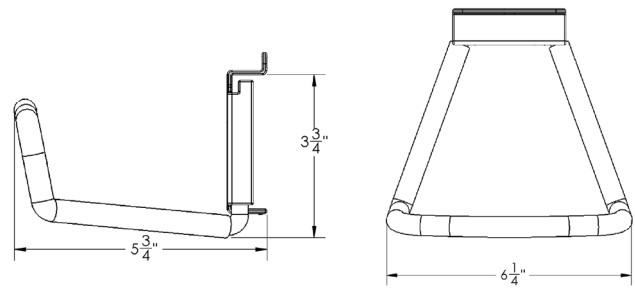
HandiACCESSORIES™



Hooks

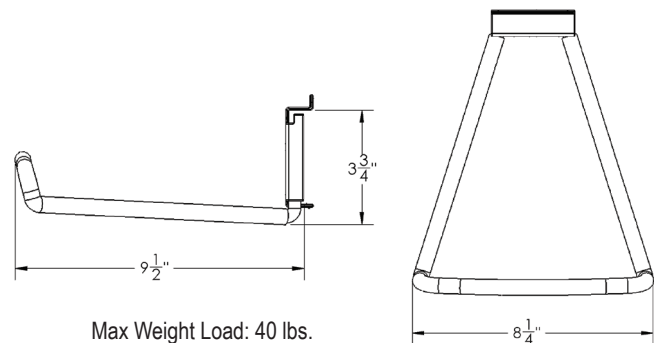
All heavy-duty hooks with the updated bracket now have a locking system. The hook engages automatically when installing, and once seated into the slot of the HandiWALL® the lock will then close and hold it firmly in place. To remove it, simply press down on the spring-loaded lock. In addition, all accessories with the soft vinyl are now color-matched to the graphite color of the bracket for one seamless look.

We offer a wide variety of hooks and brackets made of steel for maximum strength. Durable wire construction allows for an easy mount to HandiWALL®. Rubber coated for secure gripping and with a rust resistant powder coated finish. Ideal for long handled tools, cords, folding chairs, ladders, heavy tools, bicycles, and much more.



Max Weight Load: 30 lbs.

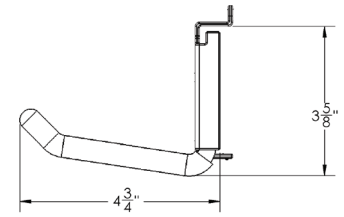
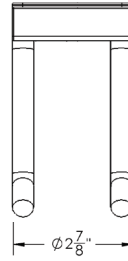
PART #	DESCRIPTION	Carton Weight	Carton L x W x H	QTY
HSH04LBWL	4" Loop Hook, with lock	6 lbs.	15" x 6 1/2" x 5"	6



Max Weight Load: 40 lbs.

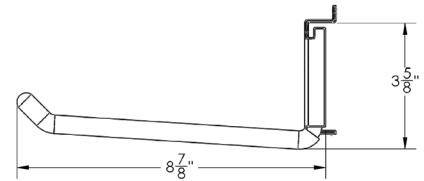
PART #	DESCRIPTION	Carton Weight	Carton L x W x H	QTY
HSH08LBWL	8" Loop Hook, with lock	10 lbs.	19 1/2" x 10 1/2" x 5"	6

HandiACCESSORIES™



Max Weight Load: 40 lbs.

PART #	DESCRIPTION	Carton Weight	Carton L x W x H	QTY
HSH04DBWL	4" Double Hook, with lock	5 lbs.	6½" x 5½" x 6½"	6

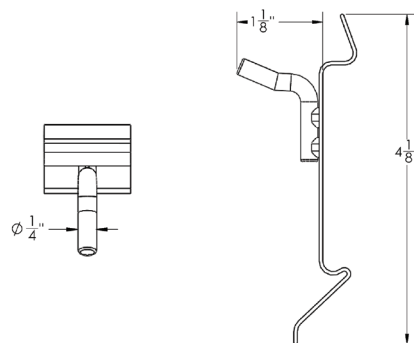


Max Weight Load: 50 lbs.

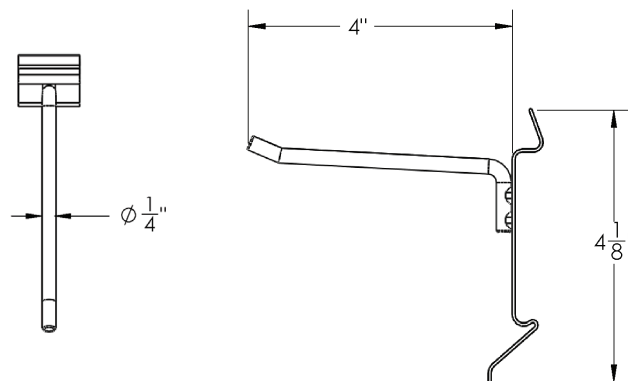
PART #	DESCRIPTION	Carton Weight	Carton L x W x H	QTY
HSH08DBWL	8" Double Hook, with lock	8 lbs.	12" x 4" x 8½"	6



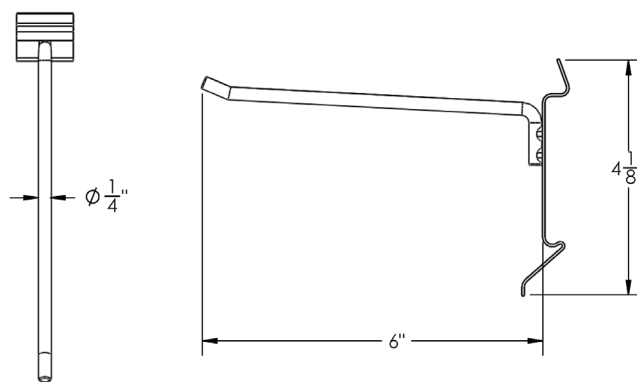
HandiACCESSORIES™



PART #	DESCRIPTION	Carton Weight	Carton L x W x H	QTY
HSH01SH	1" Snap Hook	8½ lbs.	15½" x 5½" x 6½"	100

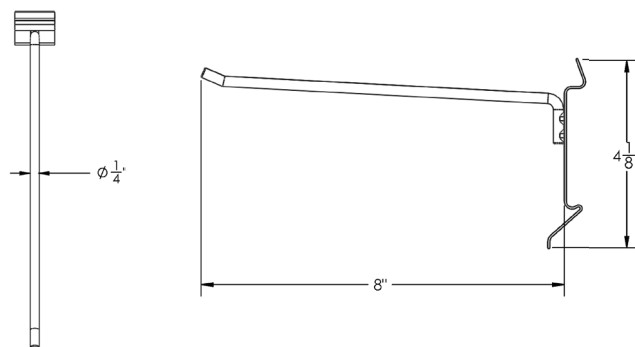


PART #	DESCRIPTION	Carton Weight	Carton L x W x H	QTY
HSH04SH	4" Snap Hook	11 lbs.	16" x 8" x 7"	100

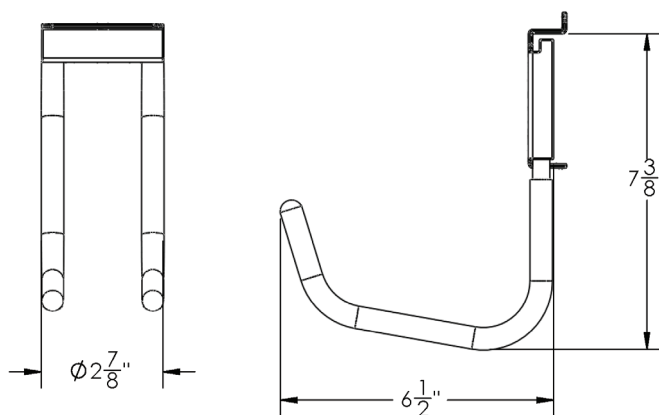


PART #	DESCRIPTION	Carton Weight	Carton L x W x H	QTY
HSH06SH	6" Snap Hook	13 lbs.	16" x 9½" x 7"	100

HandiACCESSORIES™

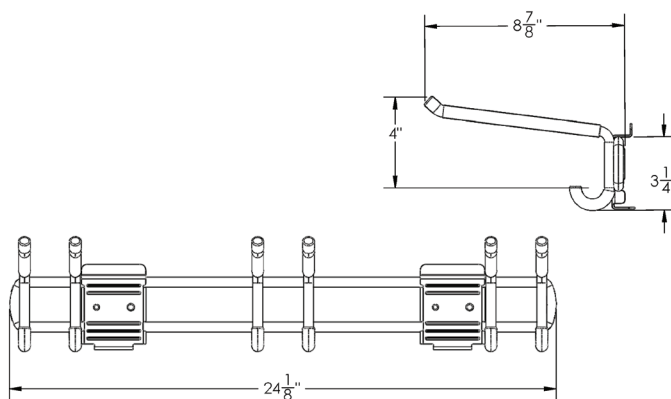


PART #	DESCRIPTION	Carton Weight	Carton L x W x H	QTY
HS08SH	8" Snap Hook	15 lbs.	15 3/4" x 11" x 6 1/2"	100



Max Weight Load: 40 lbs.

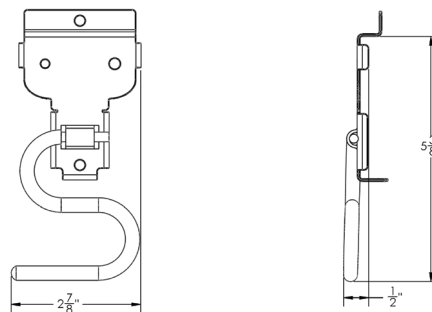
PART #	DESCRIPTION	Carton Weight	Carton L x W x H	QTY
HS06JBWL	6" J Hook, with lock	9 lbs.	9" x 4" x 13"	6



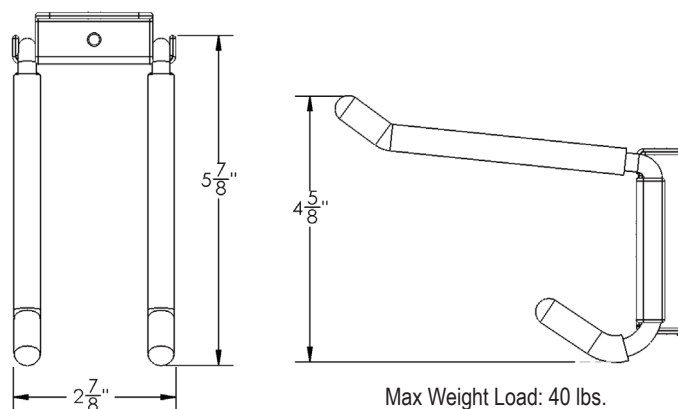
Max Weight Load: 60 lbs.

PART #	DESCRIPTION	Carton Weight	Carton L x W x H	QTY
HS03SBWL	24" Long Tool Bar, with lock	30 lbs.	25 1/2" x 7" x 14 1/2"	6

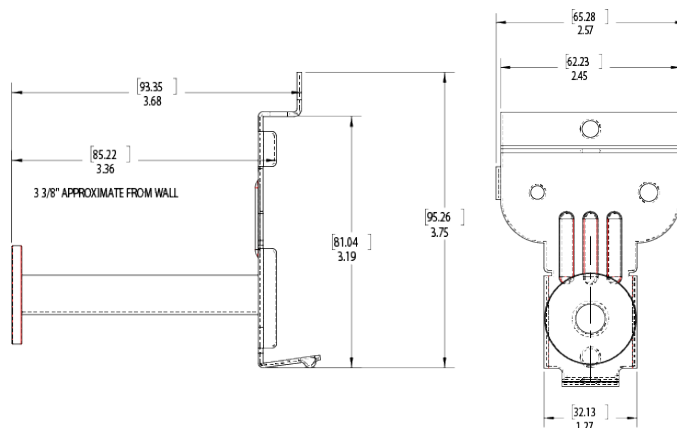
HandiACCESSORIES™



PART #	DESCRIPTION	Carton Weight	Carton L x W x H	QTY
HSSHKBNL	S Hook	1 lbs.	4" x 6" x 4"	6



PART #	DESCRIPTION	Carton Weight	Carton L x W x H	QTY
HSDUHBWL	Double Utility Hook, with lock	5 lbs.	12" x 6 1/2" x 6 1/2"	6



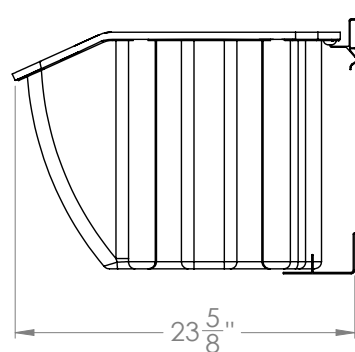
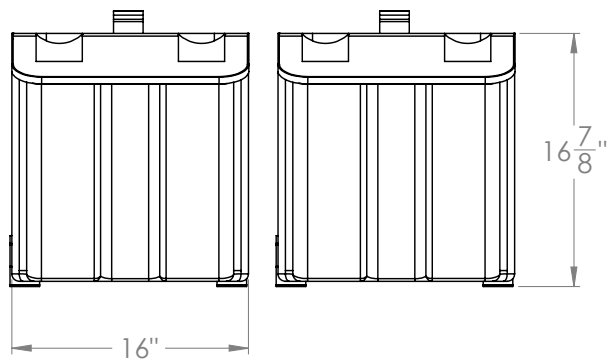
PART #	DESCRIPTION	Carton Weight	Carton L x W x H	QTY
HSHGHPK	Garment Hook, 10 Pack	2 lbs.	12" x 8" x 5"	10
HSHGH	Garment Hook, 60 Pack	9 lbs.	9 1/2" x 9 1/2" x 5"	60

HandiACCESSORIES™



PART #	DESCRIPTION	Carton Weight	Carton L x W x H	QTY
HSNP-XXX	Custom Nameplate Allow 3-4 weeks delivery time	6 lbs.	13" x 11" x 13"	1000

HandiACCESSORIES™



PART #	DESCRIPTION	Carton Weight	Carton L x W x H	QTY
HSRCBRKT*	Recycling Center Bracket Kit, side-by-side	3 lbs.	9 1/4" x 9 1/4" x 4"	1

*Only works with the previously sold recycling center to mount side-by-side.

HandiACCESSORIES™

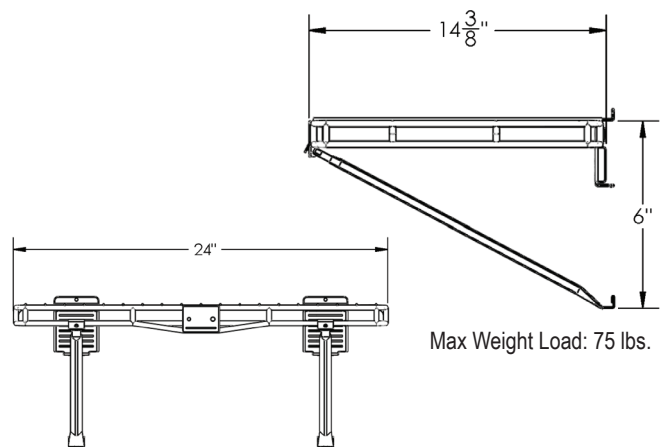


Shelves

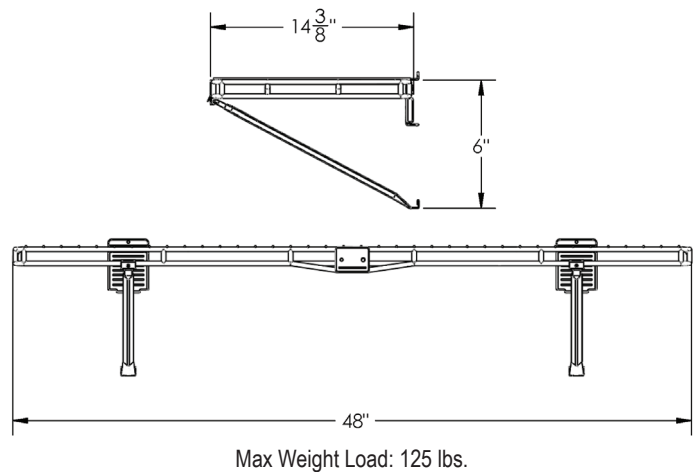
Get organized, add functionality, and clear all that clutter from the floor. Our shelves are available in three sizes.

The shelves are built from a durable wire construction and feature a powder coated finish that is rust resistant.

Maximum weight capacity varies from 75 lbs. up to 125 lbs.
Functional and great looking for all applications.

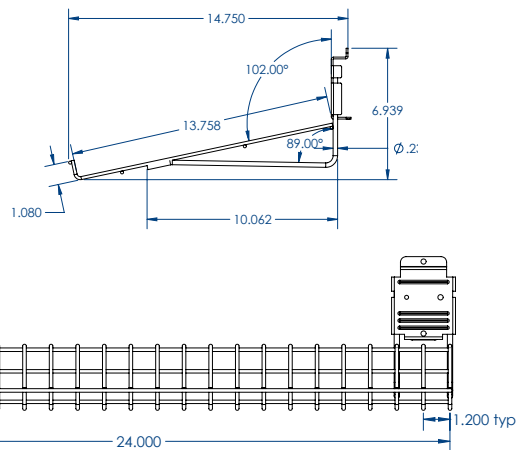


PART #	DESCRIPTION	Carton Weight	Carton L x W x H	QTY
HSS1424B	14" x 24" Shelf	29 lbs.	25" x 17" x 11½"	6

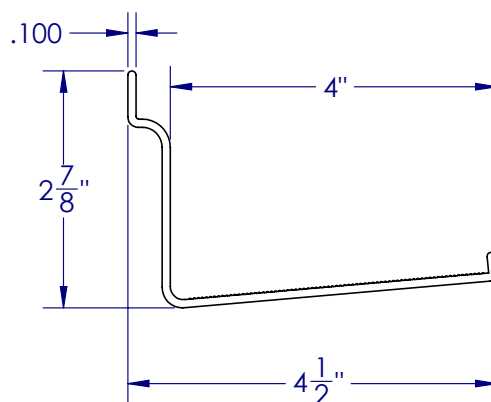


PART #	DESCRIPTION	Carton Weight	Carton L x W x H	QTY
HSS1448B	14" x 48" Shelf	53 lbs.	49" x 17" x 12"	6

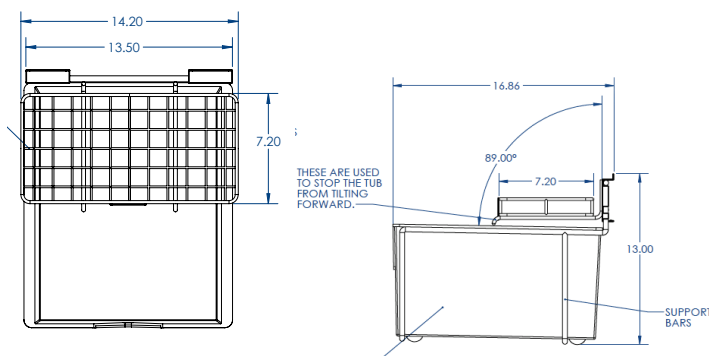
HandiACCESSORIES™



PART #	DESCRIPTION	Carton Weight	Carton L x W x H	QTY
HSS2414G	14" x 24" Shoe Rack	21 lbs.	26" x 16" x 8"	6



PART #	DESCRIPTION	Carton Weight	Carton L x W x H	QTY
HSUS496B	4" Utility Shelf, 96", Black	25 lbs.	99" x 6" x 6"	6
HSUS496G	4" Utility Shelf, 96", Gray	25 lbs.	99" x 6" x 6"	6



PART #	DESCRIPTION	Carton Weight	Carton L x W x H	QTY
HSS1407TUB-KIT	14" x 7" HandiTUB, with removable tub	28 lbs.	33½" x 16¾" x 15"	1

HandiACCESSORIES™



Resin Shelves

Made from industrial strength thermoplastic, our resin shelves are available in standard lengths of 24" and 40".

Resin shelves feature a solid color throughout, an easy fastener-free installation, and soft rounded edges.

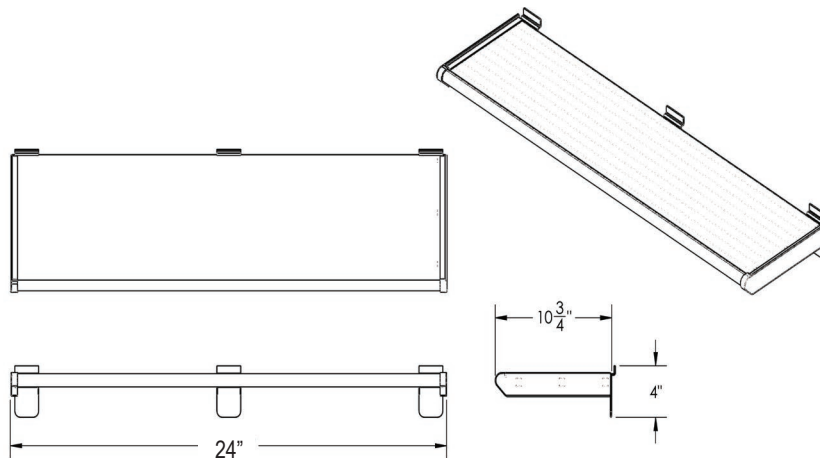
Resin shelves and end caps are color matched to our HandiWALL®. Heavy duty brackets included.

Custom lengths available upon request.

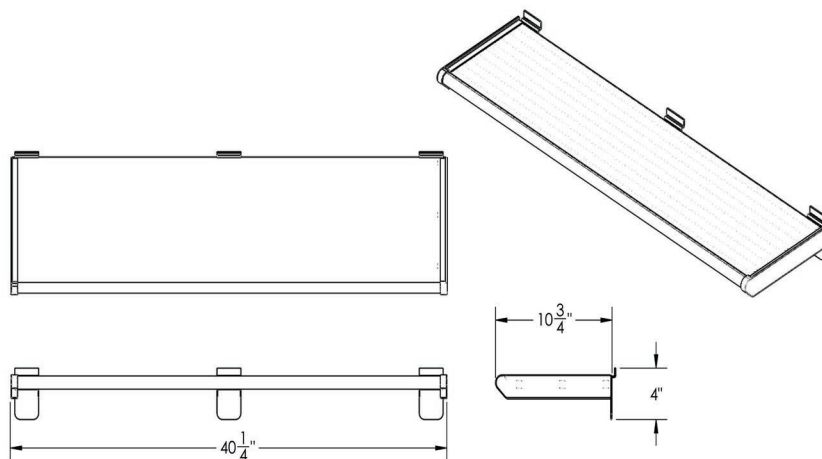


PART #	DESCRIPTION	Carton Weight	Carton L x W x H	QTY
HSRSK24BW	Resin Shelf Kit, 24", White	5 lbs.	32" x 12" x 4"	1
HSRSK24G	Resin Shelf Kit, 24", Gray	5 lbs.	32" x 12" x 4"	1
HSRSK24T	Resin Shelf Kit, 24", Taupe	5 lbs.	32" x 12" x 4"	1
HSRSK24B	Resin Shelf Kit, 24", Black	5 lbs.	32" x 12" x 4"	1
HSRSK24GR	Resin Shelf Kit, 24", Graphite	5 lbs.	32" x 12" x 4"	1
HSRSK24BE	Resin Shelf Kit, 24", Beachwood	5 lbs.	32" x 12" x 4"	1
HSRSK40BW	Resin Shelf Kit, 40", White	7 lbs.	50" x 12" x 4"	1
HSRSK40G	Resin Shelf Kit, 40", Gray	7 lbs.	50" x 12" x 4"	1
HSRSK40T	Resin Shelf Kit, 40", Taupe	7 lbs.	50" x 12" x 4"	1
HSRSK40B	Resin Shelf Kit, 40", Black	7 lbs.	50" x 12" x 4"	1
HSRSK40GR	Resin Shelf Kit, 40", Graphite	7 lbs.	50" x 12" x 4"	1
HSRSK40BE	Resin Shelf Kit, 40", Beachwood	7 lbs.	50" x 12" x 4"	1

HandiACCESSORIES™



PART #	DESCRIPTION	Carton Weight	Carton L x W x H	QTY
HSRSK24XX	Resin Shelf Kit, 24"	5 lbs.	32" x 12" x 4"	1



PART #	DESCRIPTION	Carton Weight	Carton L x W x H	QTY
HSRSK40XX	Resin Shelf Kit, 40"	7 lbs.	50" x 12" x 4"	1

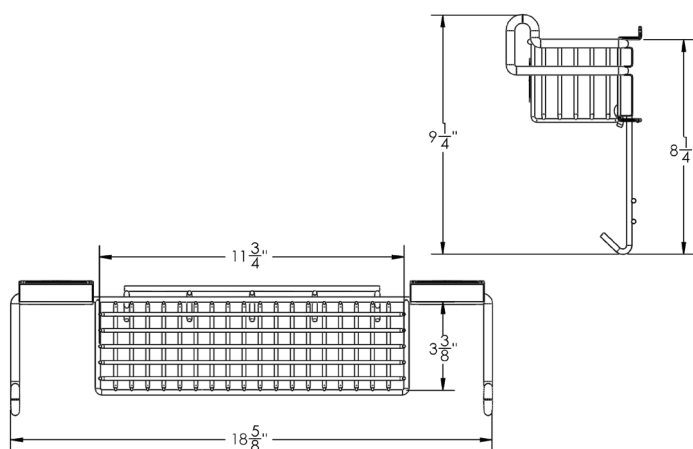
HandiACCESSORIES™



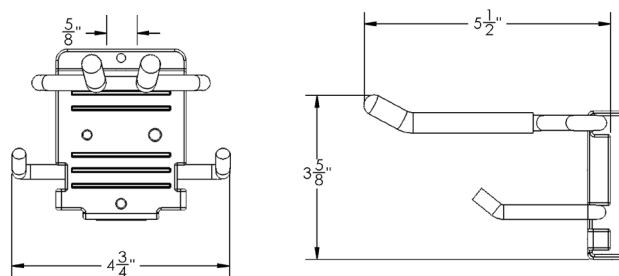
Sports

HandiSOLUTIONS® offers a wide array of sports equipment storage accessories for everyone in the home. Protect all of your expensive bikes, golf clubs, rackets, skis, and much more.

Our products are durable, multi-functional, and provide for a clutter free environment. All accessories easily attach to the HandiWALL®.

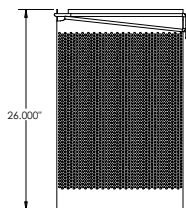
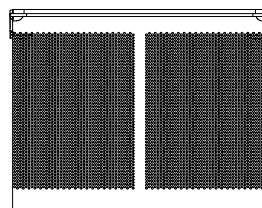
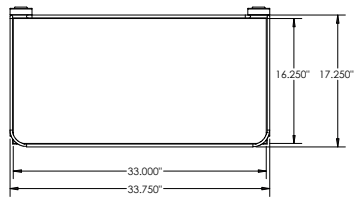


PART #	DESCRIPTION	Carton Weight	Carton L x W x H	QTY
HSGAHB	Golf Accessory Holder	20 lbs.	20" x 11" x 18 1/2"	6

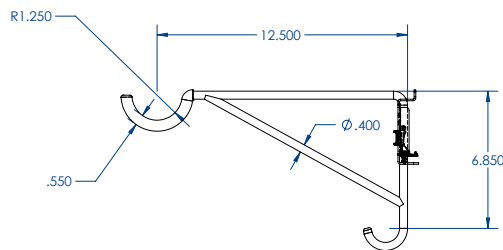


PART #	DESCRIPTION	Carton Weight	Carton L x W x H	QTY
HSSRHWL	Ski Rack, with lock	5 1/2 lbs.	11 1/4" x 5 1/2" x 5"	6

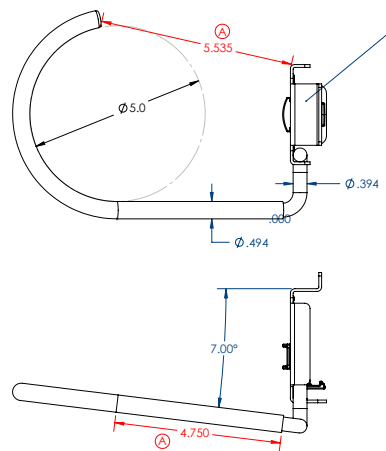
HandiACCESSORIES™



PART #	DESCRIPTION	Carton Weight	Carton L x W x H	QTY
HSLSB3426B	Handi Mesh Large Storage Basket, 34" x 26"	20 lbs.	35" x 19" x 5"	1

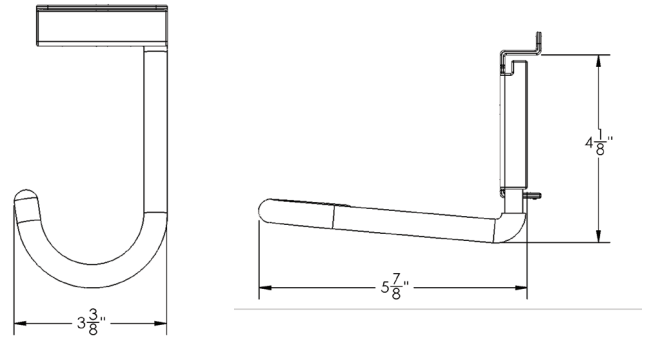


PART #	DESCRIPTION	Carton Weight	Carton L x W x H	QTY
HSHBHWL	Horizontal Bike Hooks, pair, with lock	21 lbs.	20" x 17" x 10"	6

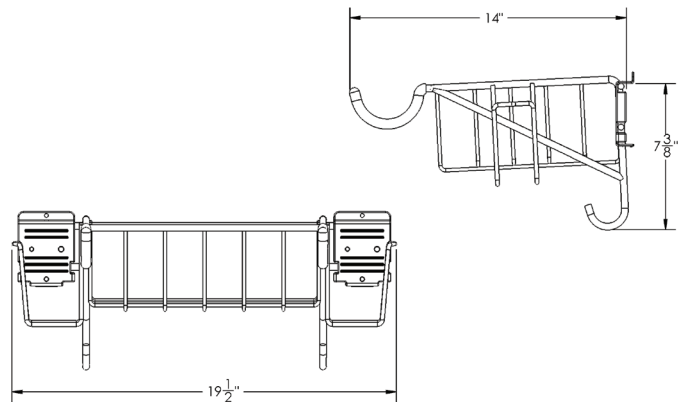


PART #	DESCRIPTION	Carton Weight	Carton L x W x H	QTY
HSHFTBHWL	Fat Tire Bike Hook, with lock	6 lbs.	14" x 8" x 6"	6

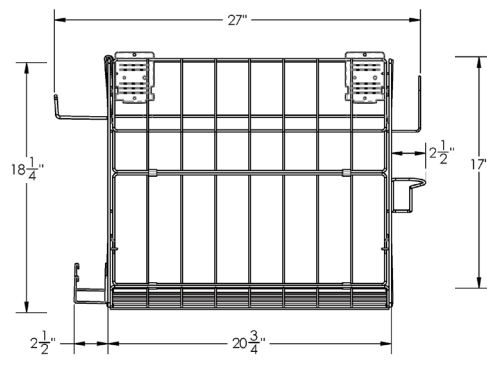
HandiACCESSORIES™



PART #	DESCRIPTION	Carton Weight	Carton L x W x H	QTY
HS05BWL	5" Bike Hook, with lock	9 lbs.	12" x 6" x 4"	6

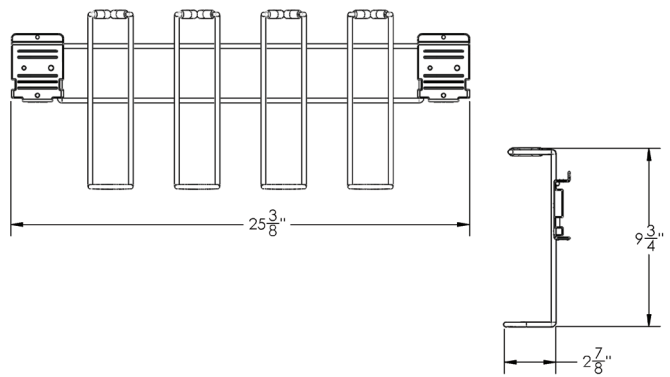


PART #	DESCRIPTION	Carton Weight	Carton L x W x H	QTY
HSHBRNL	Horizontal Bike Rack	33 1/2 lbs.	31" x 16" x 21"	4

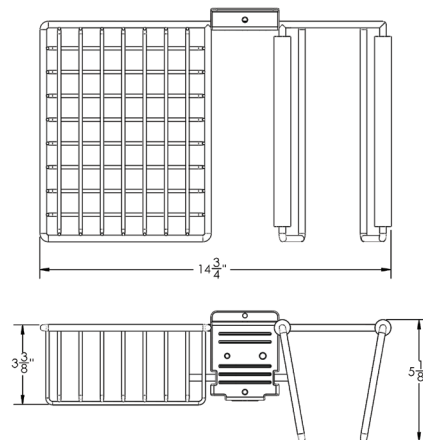


PART #	DESCRIPTION	Carton Weight	Carton L x W x H	QTY
HSSAR	Sports Accessory Rack	24 1/2 lbs.	22 1/2" x 20" x 22"	4

HandiACCESSORIES™



PART #	DESCRIPTION	Carton Weight	Carton L x W x H	QTY
HSFRH	Fishing Rod Holder	16 lbs.	27" x 11" x 11"	6



PART #	DESCRIPTION	Carton Weight	Carton L x W x H	QTY
HSTAH	Tennis Accessory Holder	14 5/8 lbs.	23" x 16" x 11 1/2"	6



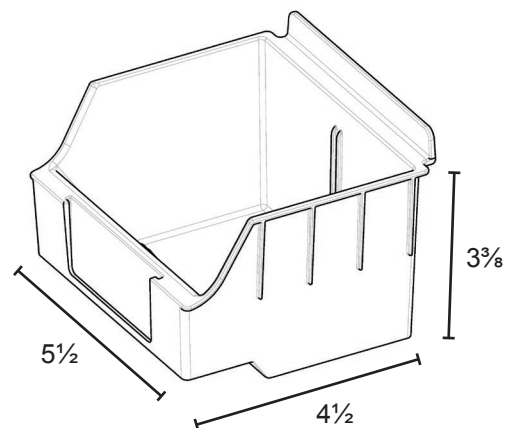
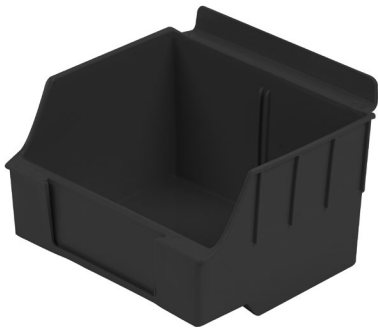
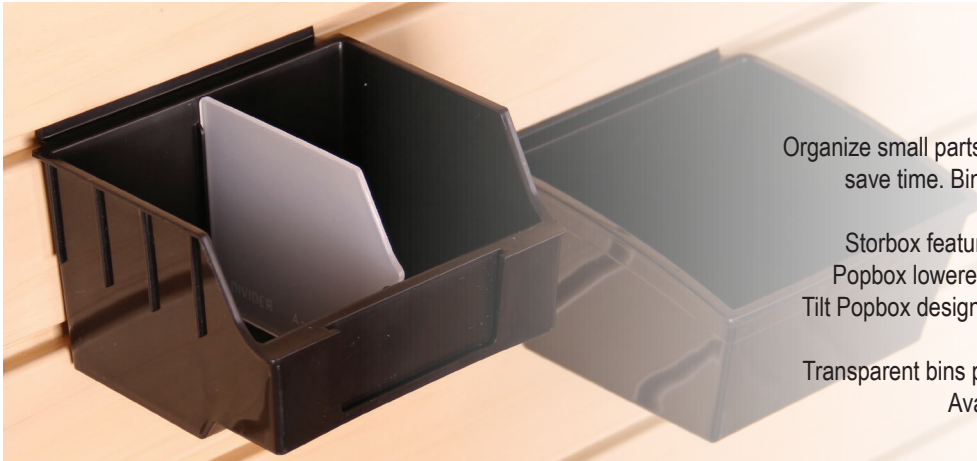
HandiACCESSORIES™

Storage Bins

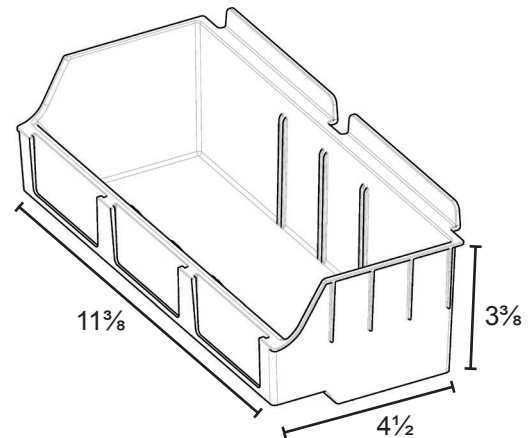
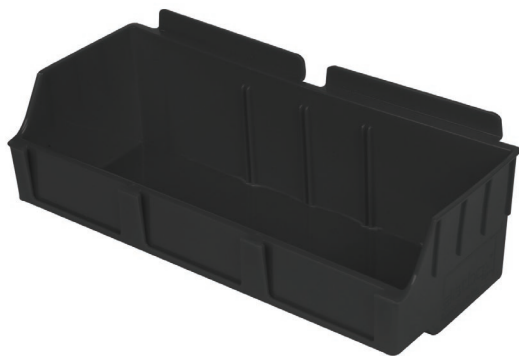
Organize small parts and hardware to decrease lost inventory and save time. Bins attach securely and remove instantly.

Storbox features a scoopable front and label holders.
Popbox lowered front provides easy access to all items.
Tilt Popbox design features a bin that is angled at 45 degrees.

Transparent bins provide a complete view of your small items.
Available in Black or Clear bins.

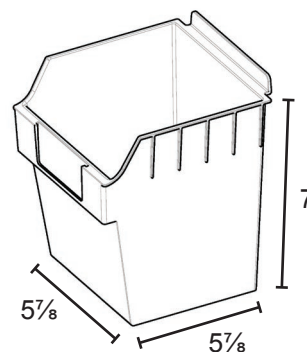


PART #	DESCRIPTION	Carton Weight	Carton L x W x H	QTY
HS0101ABK	HANDI STORBOX, Black	3 lbs.	10 1/2" x 13 1/4" x 12 1/2"	12
HS0101ACL	HANDI STORBOX, Clear	3 lbs.	10 1/2" x 13 1/4" x 12 1/2"	12

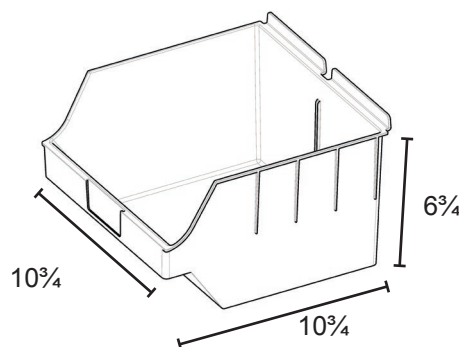
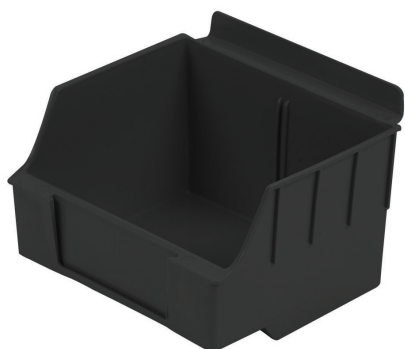


PART #	DESCRIPTION	Carton Weight	Carton L x W x H	QTY
HS0102ABK	HANDI STORBOX, Black	5 lbs.	10 1/4" x 26" x 12 1/2"	12
HS0102ACL	HANDI STORBOX, Clear	5 lbs.	10 1/4" x 26" x 12 1/2"	12

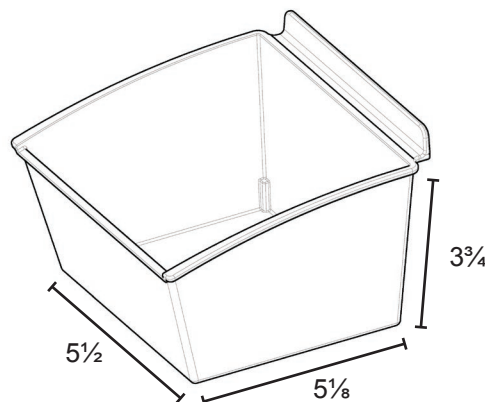
HandiACCESSORIES™



PART #	DESCRIPTION	Carton Weight	Carton L x W x H	QTY
HS01030BK	HANDI STORBOX, Black	5 ⁷ / ₈ lbs.	12 ¹ / ₄ " x 12" x 12 ¹ / ₂ "	12
HS01030CL	HANDI STORBOX, Clear	5 ⁷ / ₈ lbs.	12 ¹ / ₄ " x 12" x 12 ¹ / ₂ "	12
HS02ACL	STORBOX Divider A for 01 and 02, Clear	4 lbs.	8 ¹ / ₄ " x 8 ¹ / ₄ " x 8 ¹ / ₂ "	100

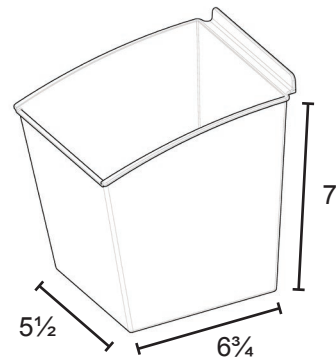


PART #	DESCRIPTION	Carton Weight	Carton L x W x H	QTY
HS0104CBK	HANDI STORBOX, Black	7 lbs.	22 ¹ / ₂ " x 16 ¹ / ₂ " x 22"	6
HS0104CCL	HANDI STORBOX, Clear	7 lbs.	22 ¹ / ₂ " x 16 ¹ / ₂ " x 22"	6
HS02CCL	STORBOX Divider C for 04, Clear	1 ³ / ₈ lbs.	11" x 12 ¹ / ₂ " x 8 ¹ / ₂ "	6

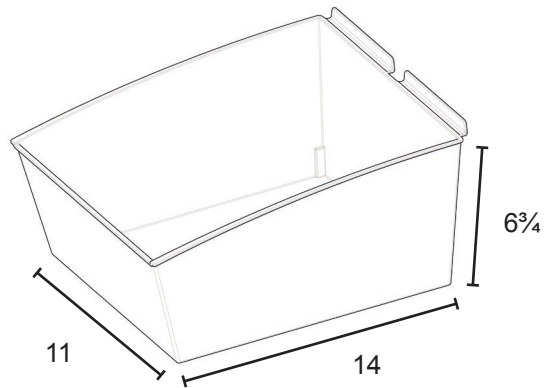


PART #	DESCRIPTION	Carton Weight	Carton L x W x H	QTY
HS01210BK	HANDI POPBOX, Black	2 ⁷ / ₈ lbs.	13 ¹ / ₂ " x 11" x 12 ¹ / ₂ "	12
HS01210CL	HANDI POPBOX, Clear	2 ⁷ / ₈ lbs.	13 ¹ / ₂ " x 11" x 12 ¹ / ₂ "	12

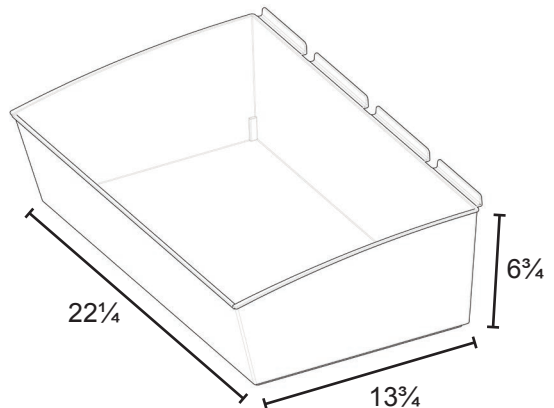
HandiACCESSORIES™



PART #	DESCRIPTION	Carton Weight	Carton L x W x H	QTY
HS01220BK	HANDI POPBOX, Black	5 ³ / ₈ lbs.	25 ¹ / ₂ " x 12" x 15"	12
HS01220CL	HANDI POPBOX, Clear	5 ³ / ₈ lbs.	25 ¹ / ₂ " x 12" x 15"	12

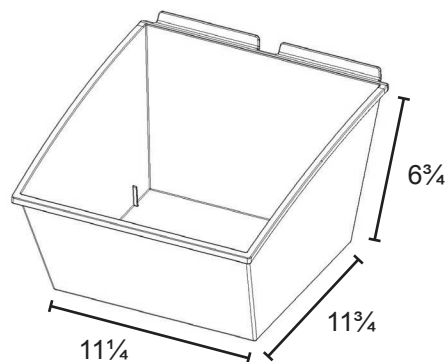


PART #	DESCRIPTION	Carton Weight	Carton L x W x H	QTY
HS01230BK	HANDI POPBOX, Black	8 ⁷ / ₈ lbs.	16" x 18" x 21"	6
HS01230CL	HANDI POPBOX, Clear	8 ⁷ / ₈ lbs.	16" x 18" x 21"	6

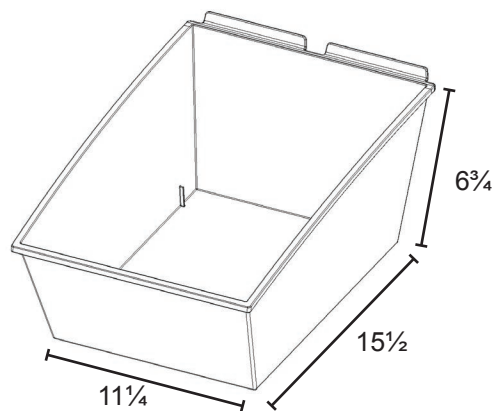


PART #	DESCRIPTION	Carton Weight	Carton L x W x H	QTY
HS01240BK	HANDI POPBOX, Black	11 ¹ / ₂ lbs.	16" x 24" x 12 ¹ / ₂ "	4
HS01240CL	HANDI POPBOX, Clear	11 ¹ / ₂ lbs.	16" x 24" x 12 ¹ / ₂ "	4

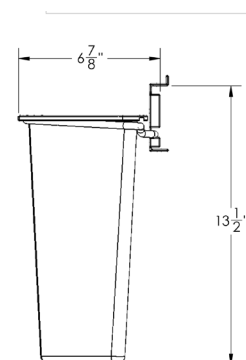
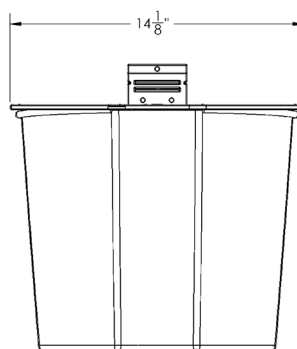
HandiACCESSORIES™



PART #	DESCRIPTION	Carton Weight	Carton L x W x H	QTY
HS01250BK	HANDI TILT POPBOX, Black	14¼ lbs.	12" x 18" x 12"	12
HS01250CL	HANDI TILT POPBOX, Clear	14¼ lbs.	12" x 18" x 12"	12



PART #	DESCRIPTION	Carton Weight	Carton L x W x H	QTY
HS01260BK	HANDI TILT POPBOX, Black	8¾ lbs.	16" x 24" x 12½"	6
HS01260CL	HANDI TILT POPBOX, Clear	8¾ lbs.	16" x 24" x 12½"	6



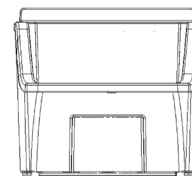
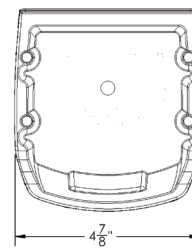
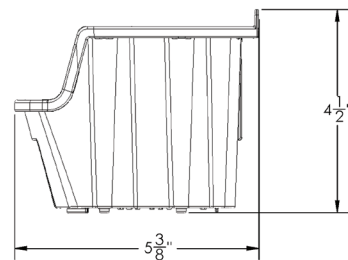
PART #	DESCRIPTION	Carton Weight	Carton L x W x H	QTY
HSHB	HandiBin, Smoke	3 lbs.	13" x 11" x 14"	1

HandiACCESSORIES™

Storage Bins

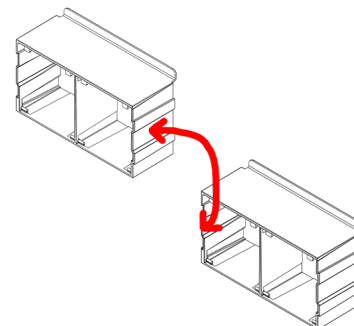
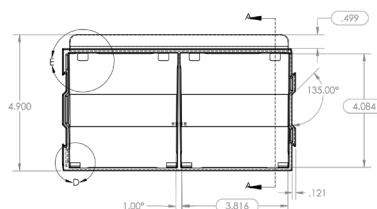
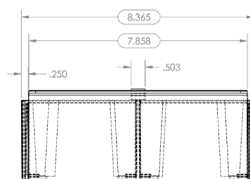
Organize small parts and hardware to decrease lost inventory and save time. Bins attach securely and remove instantly.

Tilt Bins feature a transparent bin that tips out at a 45-degree angle tilt. Clear bins provide a complete view of your small items.



PART #	DESCRIPTION	Carton Weight	Carton L x W x H	QTY
HSPUB	Plastic Utility Bin, Taupe	3 lbs.	11½" x 11" x 11½"	12
HSPUBG	Plastic Utility Bin, Gray	3 lbs.	11½" x 11" x 11½"	12
HSPUBB	Plastic Utility Bin, Black	3 lbs.	11½" x 11" x 11½"	12
HSPUBBW	Plastic Utility Bin, Beachwood	3 lbs.	11½" x 11" x 11½"	12

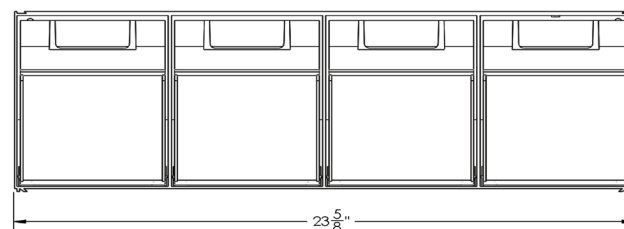
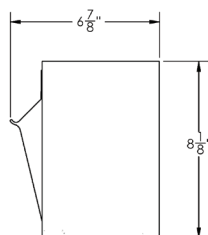
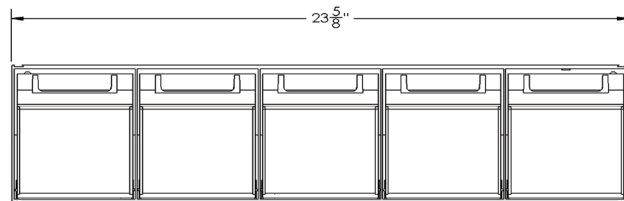
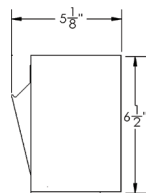
HandiACCESSORIES™



Handi Link Up Bins connect and link up together so you can combine as many housings as you would like!

PART #	DESCRIPTION	Carton Weight	Carton L x W x H	QTY
HSTB023	Handi Link Up Tilt Bin, Gray	6 lbs.	13" x 11" x 14"	4
HSTB024	Handi Link Up Tilt Bin, Black	6 lbs.	13" x 11" x 14"	4
HSTB0213	Handi Link Up Tilt Bin, Graphite	6 lbs.	13" x 11" x 14"	4
HSTB0214	Handi Link Up Tilt Bin, Beachwood	6 lbs.	13" x 11" x 14"	4

Each housing contains two tilt bins - one with a divider and one without. Housings can be combined together to make a larger organization space.



PART #	DESCRIPTION	Carton Weight	Carton L x W x H	QTY
HSB05TOB*	5 Tilt Bin Storage	25 lbs.	18 1/8" x 24 7/8" x 14 3/4"	1
HSB04TOB*	4 Tilt Bin Storage	6 lbs.	8 1/2" x 24 1/2" x 7"	1

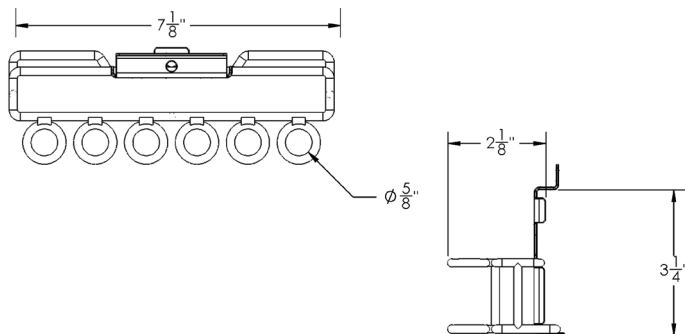
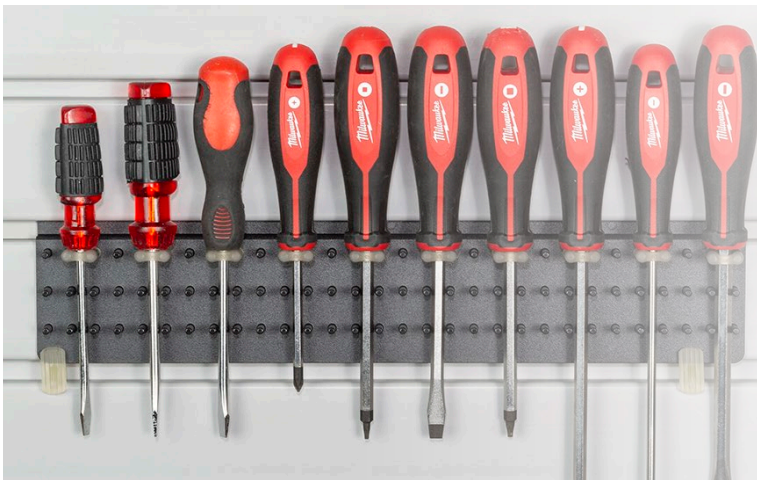
*Requires HSHN3PAC for attachment to wall.

HandiACCESSORIES™

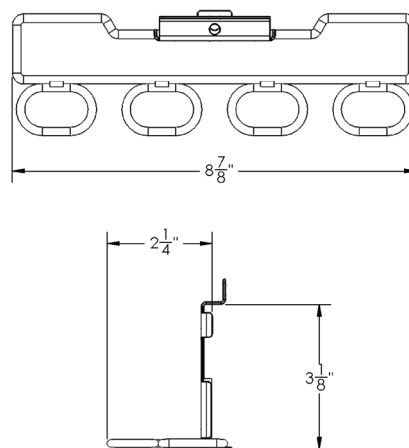
Tool Storage

This collection of tool storage accessories is versatile, durable, and provides easy access and organization to all of your hand tools.

Prevent an unorganized tool box by selecting from our Magnetic ToolPADs or the various functional tool grip racks. They firmly attach to the HandiWALL®.

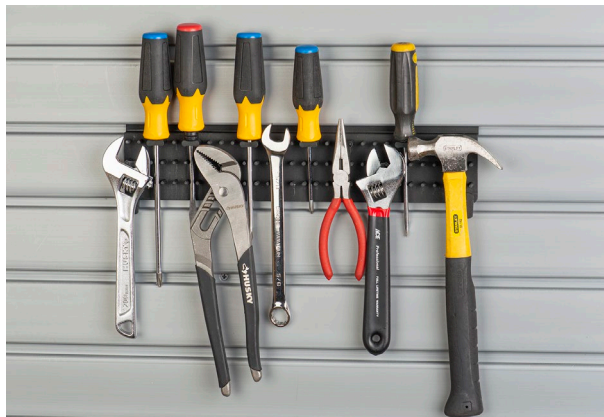


PART #	DESCRIPTION	Carton Weight	Carton L x W x H	QTY
HSSDHB	Screwdriver Rack	6 lbs.	9 1/2" x 7 1/2" x 6"	6



PART #	DESCRIPTION	Carton Weight	Carton L x W x H	QTY
HSSTRB	Small Tool Rack	2 lbs.	9 1/2" x 7 1/2" x 6 1/2"	6

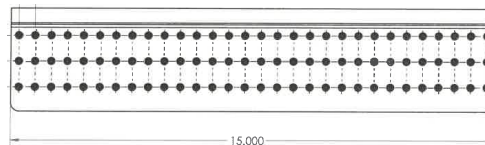
HandiACCESSORIES™



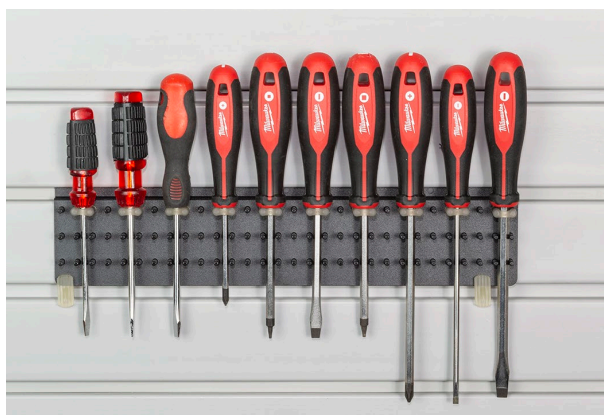
The Magnetic ToolPAD comes with six (6) Magnetic Pockets and six (6) Screwdriver Pockets to hang various tools, as well as two (2) Twist Locks to secure the ToolPAD in place on the HandiWALL®.

Fits directly onto HandiWALL® without any hardware necessary.

ToolPADs come individually packaged into master cartons of 10, and are color matched to the colors of HandiWALL®.



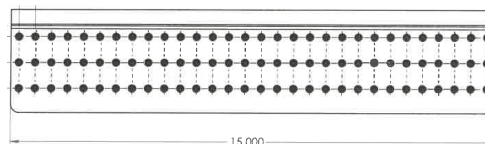
PART #	DESCRIPTION	Carton Weight	Carton L x W x H	QTY
HSMTTP15100	15" Magnetic ToolPAD, White, with pockets and locks	8 lbs.	13½" x 8½" x 16¼"	10
HSMTTP15200	15" Magnetic ToolPAD, Taupe, with pockets and locks	8 lbs.	13½" x 8½" x 16¼"	10
HSMTTP15300	15" Magnetic ToolPAD, Gray, with pockets and locks	8 lbs.	13½" x 8½" x 16¼"	10
HSMTTP15400	15" Magnetic ToolPAD, Black, with pockets and locks	8 lbs.	13½" x 8½" x 16¼"	10
HSMTTP15130	15" Magnetic ToolPAD, Graphite, with pockets and locks	8 lbs.	13½" x 8½" x 16¼"	10
HSMTTP15140	15" Magnetic ToolPAD, Beachwood, with pockets and locks	8 lbs.	13½" x 8½" x 16¼"	10
HSMTTPMPC	Magnetic Pocket Kit, 6 pack	1 lbs.	4½" x 4½" x 4¼"	1
HSMTTPSDPC	Screwdriver Pocket Kit, 6 pack	1 lbs.	4½" x 4½" x 4¼"	1



The Screwdriver ToolPAD comes with ten (10) Screwdriver Pockets and two (2) Twist Locks to secure the ToolPAD in place on the HandiWALL®.

Fits directly onto HandiWALL® without any hardware necessary.

ToolPADs come individually packaged into master cartons of 10.



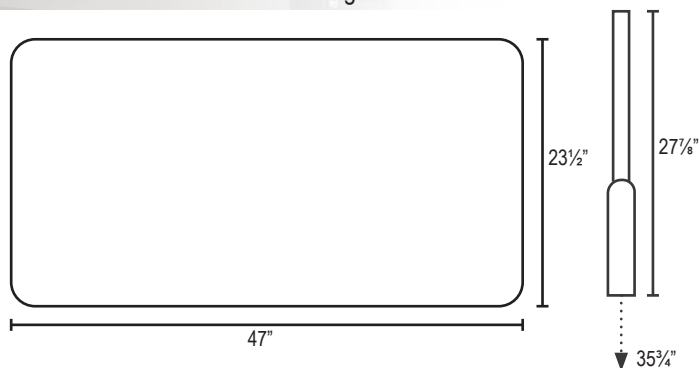
PART #	DESCRIPTION	Carton Weight	Carton L x W x H	QTY
HSSTTP15300	15" Screwdriver ToolPAD, Gray, with pockets and locks	8 lbs.	13½" x 8½" x 16¼"	10
HSSTTP15400	15" Screwdriver ToolPAD, Black, with pockets and locks	8 lbs.	13½" x 8½" x 16¼"	10
HSSTTP151300	15" Screwdriver ToolPAD, Graphite, with pockets and locks	8 lbs.	13½" x 8½" x 16¼"	10
HSSTTP151400	15" Screwdriver ToolPAD, Beachwood, with pockets and locks	8 lbs.	13½" x 8½" x 16¼"	10

HandiACCESSORIES™

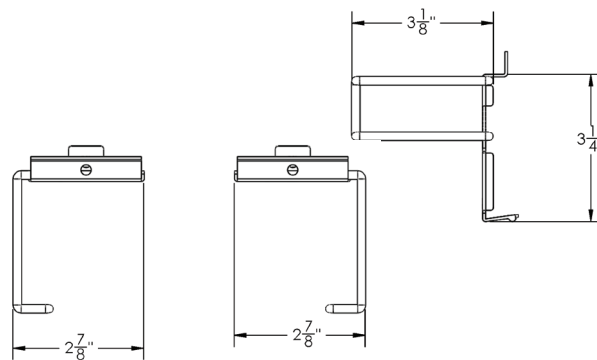
Work Shop

Customize your work area with this heavy duty work bench top designed to provide a work surface for all of your projects. It is made from a heavy duty Thermofoil, a highly scratch/dent resistant material.

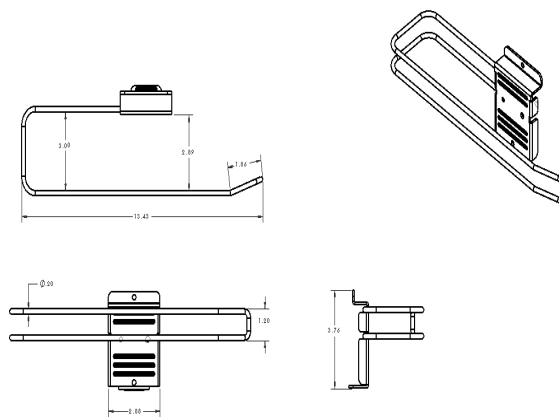
Offered along side our work bench top, the leg kit features two (2) high quality folding legs with adjuster, hinges, HandiWALL® brackets, and mounting hardware.



PART #	DESCRIPTION	Carton Weight	Carton L x W x H	QTY
HSTT48	48" Work Bench Top	36 lbs.	55" x 24" x 2"	1
HSTT1000	Attachment Leg Kit, 2 Legs	27 lbs.	9" x 5 1/2" x 6 1/2"	1



PART #	DESCRIPTION	Carton Weight	Carton L x W x H	QTY
HSMPRH	Multi-Purpose Roll Holder	3 lbs.	8 1/2" x 7" x 5"	6



PART #	DESCRIPTION	Carton Weight	Carton L x W x H	QTY
HSPTH	Paper Towel Holder	6 lbs.	14" x 9" x 5"	6

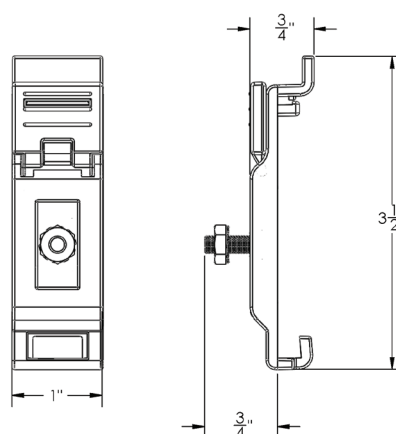
HandiACCESSORIES™



Locking Accessory Clip

The locking accessory clip is designed to hang items such as tilt bins, magnetic tool holders, sports rack, hose holders, and other products not made to fit on slatwall to fit on the HandiWALL® panels.

Packed with two clips, two nuts, and two screws.



PART #	DESCRIPTION	Carton Weight	Carton L x W x H	QTY
HSHN3PAC	Locking Accessory Clip, Black	3 lbs.	9 1/2" x 9 1/2" x 9"	25



PART #	DESCRIPTION	Carton Weight	Carton L x W x H	QTY
HSSRB	Light Duty Accessory Clip	11 lbs.	10" x 6" x 4"	100

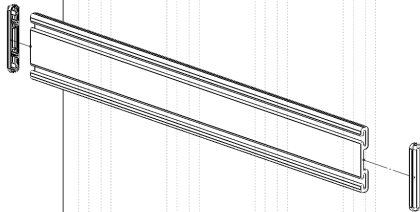
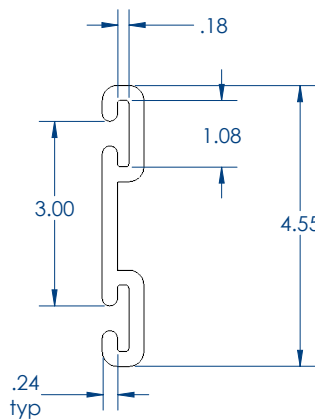
Handi Tool Rail

Handi Tool Rail



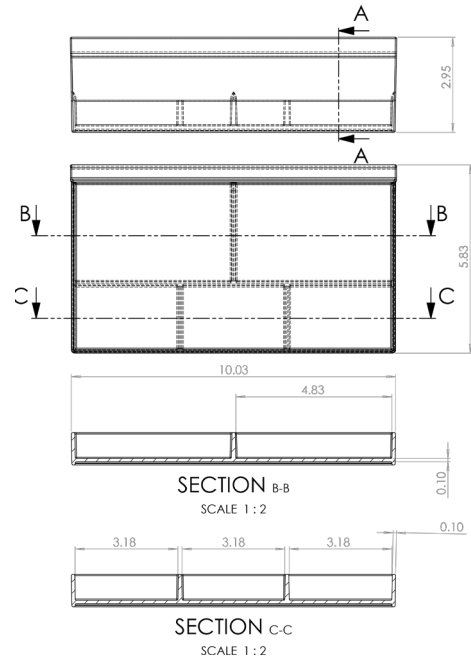
The Handi Tool Rail is a new product designed and manufactured by HandiSOLUTIONS® in a similar way to HandiWALL®. Made of the same cellular foam PVC material, the Handi Tool Rail provides all of the benefits of HandiWALL® while allowing a much smaller footprint to be used.

Perfect for inside the home in areas such as the closet, pantry, home office, craft room, basement, mudroom, laundry room, and more! Each individual carton comes with the End Caps, color-matched screws, and Color Strips for installation.

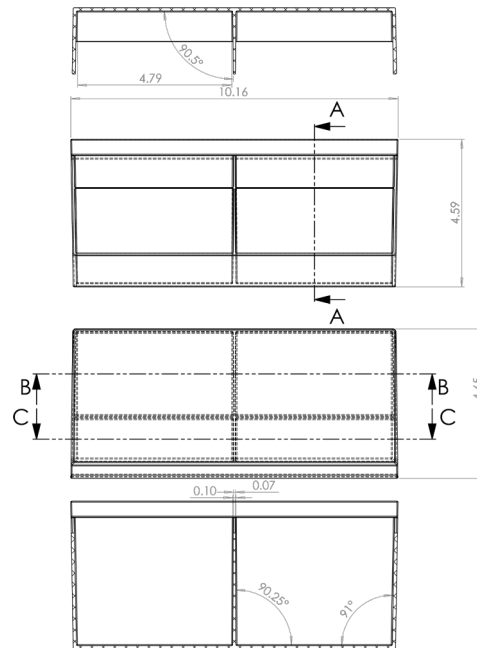
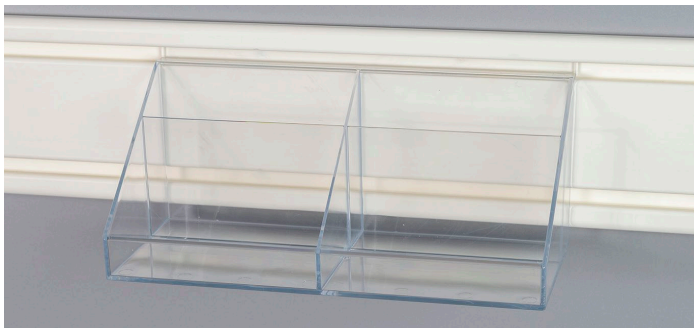


PART #	DESCRIPTION	Carton Weight	Carton L x W x H	QTY
HSWTR150-IND	Handi Tool Rail, 50", White, Individual Pack	3 lbs.	52" x 5" x 2"	1
HSWTR182-IND	Handi Tool Rail, 82", White, Individual Pack	5 lbs.	84" x 5" x 2"	1
HSWTR198-IND	Handi Tool Rail, 98", White, Individual Pack	7 lbs.	98" x 5" x 2"	1
HSWTR198	Handi Tool Rail, 98", White, Bulk Pack	35 lbs.	102" x 6" x 6"	8
HSWTREC1	Handi Tool Rail End Cap, White	2 lbs.	9" x 7" x 5"	50
HSWTR350-IND	Handi Tool Rail, 50", Gray, Individual Pack	3 lbs.	52" x 5" x 2"	1
HSWTR382-IND	Handi Tool Rail, 82", Gray, Individual Pack	5 lbs.	84" x 5" x 2"	1
HSWTR398-IND	Handi Tool Rail, 98", Gray, Individual Pack	7 lbs.	98" x 5" x 2"	1
HSWTR398	Handi Tool Rail, 98", Gray, Bulk Pack	35 lbs.	102" x 6" x 6"	8
HSWTREC3	Handi Tool Rail End Cap, Gray	2 lbs.	9" x 7" x 5"	50
HSWTR450-IND	Handi Tool Rail, 50", Black, Individual Pack	3 lbs.	52" x 5" x 2"	1
HSWTR482-IND	Handi Tool Rail, 82", Black, Individual Pack	5 lbs.	84" x 5" x 2"	1
HSWTR498-IND	Handi Tool Rail, 98", Black, Individual Pack	7 lbs.	98" x 5" x 2"	1
HSWTR498	Handi Tool Rail, 98", Black, Bulk Pack	35 lbs.	102" x 6" x 6"	8
HSWTREC4	Handi Tool Rail End Cap, Black	2 lbs.	9" x 7" x 5"	50
HSWTR1450-IND	Handi Tool Rail, 50", Beachwood, Individual Pack	3 lbs.	52" x 5" x 2"	1
HSWTR1482-IND	Handi Tool Rail, 82", Beachwood, Individual Pack	5 lbs.	84" x 5" x 2"	1
HSWTR1498-IND	Handi Tool Rail, 98", Beachwood, Individual Pack	7 lbs.	98" x 5" x 2"	1
HSWTR1498	Handi Tool Rail, 98", Beachwood, Bulk Pack	35 lbs.	102" x 6" x 6"	8
HSWTREC14	Handi Tool Rail End Cap, Beachwood	2 lbs.	9" x 7" x 5"	50

Crystal Series

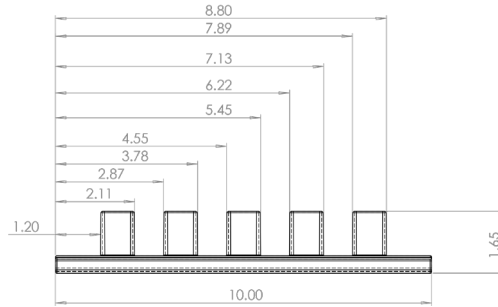
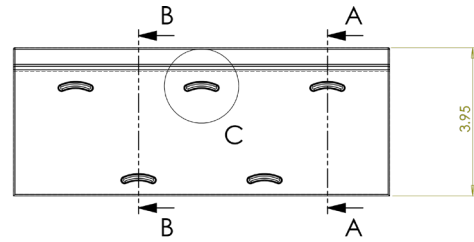


PART #	DESCRIPTION	Carton Weight	Carton L x W x H	QTY
HCSOT	Crystal Series, Organizer Tray	5 lbs.	12" x 12" x 14"	6

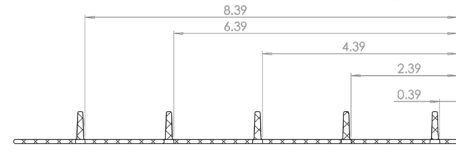
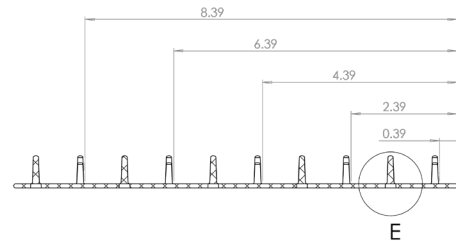
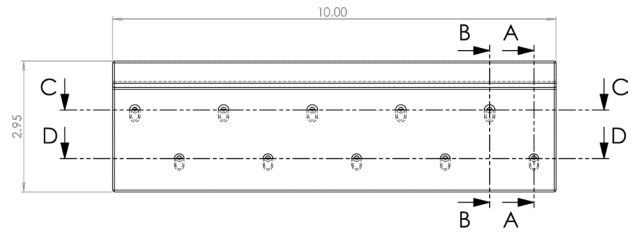


PART #	DESCRIPTION	Carton Weight	Carton L x W x H	QTY
HCSNIK	Crystal Series, NikNak	6 lbs.	12" x 12" x 14"	6

Crystal Series

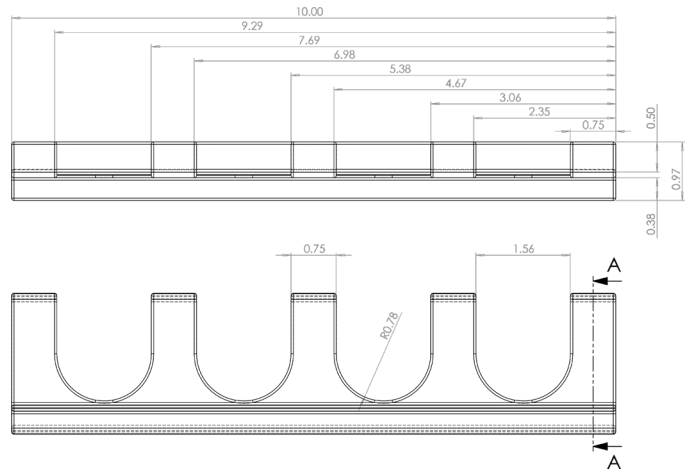


PART #	DESCRIPTION	Carton Weight	Carton L x W x H	QTY
HSCBRH	Crystal Series, Bracelet Holder	4 lbs.	11" x 7" x 9"	6

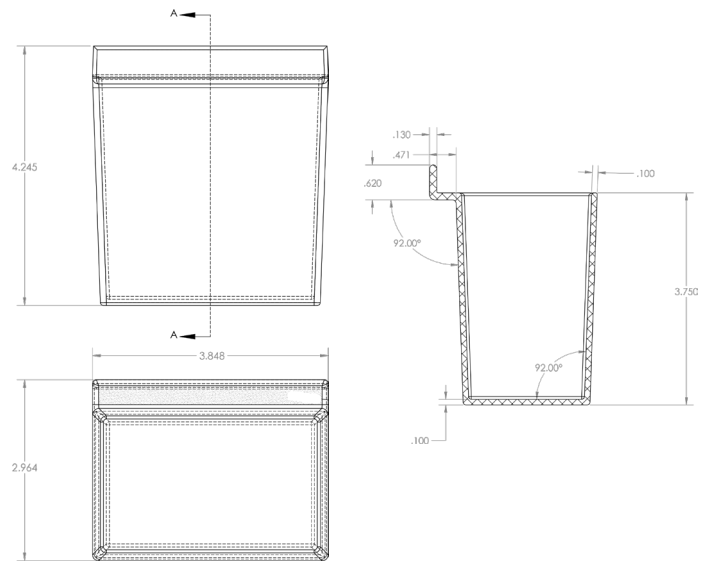


PART #	DESCRIPTION	Carton Weight	Carton L x W x H	QTY
HSCSNH	Crystal Series, Necklace Holder	3 lbs.	11" x 7" x 9"	6

Crystal Series

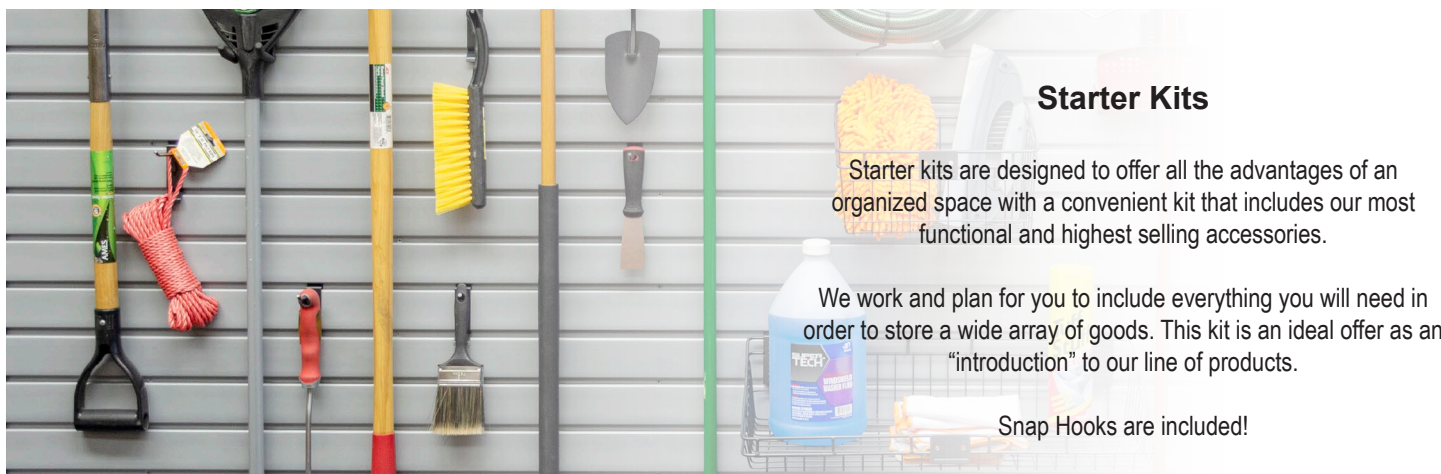


PART #	DESCRIPTION	Carton Weight	Carton L x W x H	QTY
HSCSTBH	Crystal Series, Tie/Belt Holder	3 lbs.	11" x 7" x 9"	6



PART #	DESCRIPTION	Carton Weight	Carton L x W x H	QTY
HSCSPC	Crystal Series, Pencil Cup	4 lbs.	9" x 9" x 6"	6

HandiKITS™



Starter Kits

Starter kits are designed to offer all the advantages of an organized space with a convenient kit that includes our most functional and highest selling accessories.

We work and plan for you to include everything you will need in order to store a wide array of goods. This kit is an ideal offer as an "introduction" to our line of products.

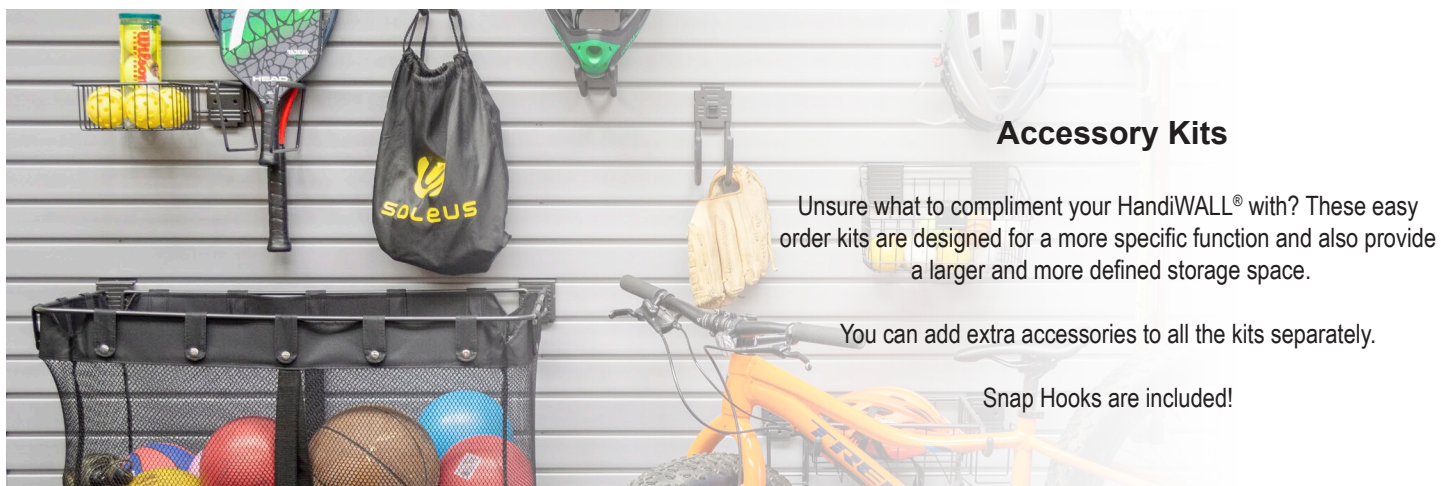
Snap Hooks are included!

4' Starter Kit

PART #	DESCRIPTION	Starter Kit Details
HS-BWK1004WL	4' Starter Kit, White	HSWX004, 4' HandiWALL®, Qty 8, 1 Carton @ 38 lbs. Measuring 49" x 13" x 6"
HS-BWK2004WL	4' Starter Kit, Taupe	HSTX008J, Large J Molding, Qty 4, 1 Carton @ 5 lbs. Measuring 100" x 3" x 3"
HS-BWK3004WL	4' Starter Kit, Gray	HSBAK, Basic Accessory Kit, 21 Pcs., 1 Carton @ 22 lbs. Measuring 25½" x 16" x 12½"
HS-BWK13004WL	4' Starter Kit, Graphite	HSWSX00TBK, 1½" Drywall Screws, 100 Qty, 1 Carton @ 1 lbs. Measuring 9" x 7" x 8"
HS-BWK14004WL	4' Starter Kit, Beachwood	
HS-BWK17004WL	4' Starter Kit, Driftwood Slate	

8' Starter Kit

PART #	DESCRIPTION	Starter Kit Details
HS-BWK1008WL	8' Starter Kit, White	HSWX008, 8' HandiWALL®, Qty 4, 1 Carton @ 38 lbs. Measuring 49" x 13" x 6"
HS-BWK2008WL	8' Starter Kit, Taupe	HSTX008J, Large J Molding, Qty 4, 1 Carton @ 5 lbs. Measuring 100" x 3" x 3"
HS-BWK3008WL	8' Starter Kit, Gray	HSBAK, Basic Accessory Kit, 21 Pcs., 1 Carton @ 22 lbs. Measuring 25½" x 16" x 12½"
HS-BWK13008WL	8' Starter Kit, Graphite	HSWSX00TBK, 1½" Drywall Screws, 100 Qty, 1 Carton @ 1 lbs. Measuring 9" x 7" x 8"
HS-BWK14008WL	8' Starter Kit, Beachwood	
HS-BWK17008WL	8' Starter Kit, Driftwood Slate	

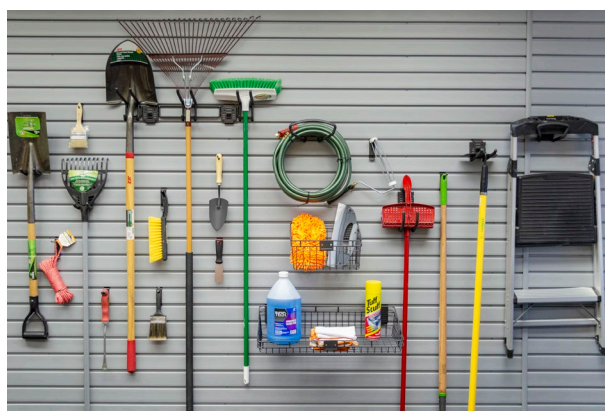


Accessory Kits

Unsure what to compliment your HandiWALL® with? These easy order kits are designed for a more specific function and also provide a larger and more defined storage space.

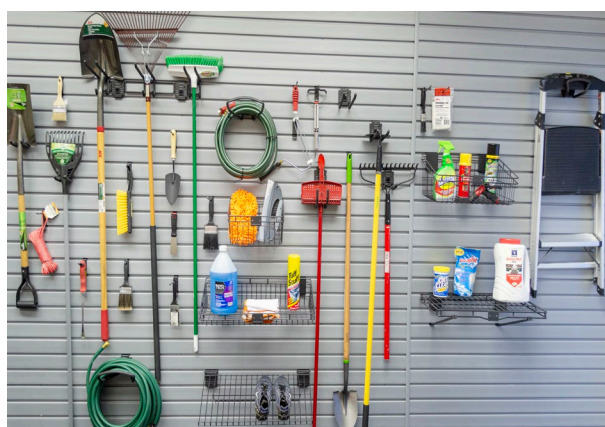
You can add extra accessories to all the kits separately.

Snap Hooks are included!



- 1 HSH03SBWL 24" Tool Bar
- 2 HSH04DBWL 4" Double Hook
- 1 HSH08DBWL 8" Double Hook
- 1 HSH04LBWL 4" Loop Hook
- 1 HSH06JBWL 6" J Hook
- 1 HSH08LBWL 8" Loop Hook
- 1 HSB0812B 8" x 12" Basket
- 1 HSB1224B 12" x 24" Basket
- 3 HSH01SH 1" Snap Hook
- 6 HSH04SH 4" Snap Hook

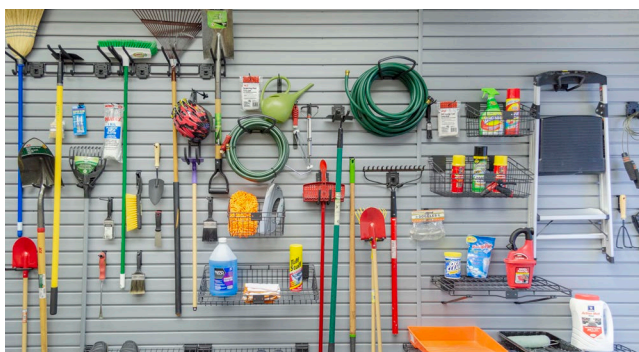
PART #	DESCRIPTION	Carton Weight	Carton L x W x H	QTY
HSBAKWL	Basic Accessory Kit 18 pcs.	20 lbs.	25½" x 16" x 12½"	1



- 1 HSS1424B 14" x 24" Shelf
- 1 HSH03SBWL 24" Tool Bar
- 1 HSH04LBWL 4" Loop Hook
- 2 HSH08LBWL 8" Loop Hook
- 3 HSH04DBWL 4" Double Hook
- 2 HSH08DBWL 8" Double Hook
- 1 HSH06JBWL 6" J Hook
- 1 HSB0812B 8" x 12" Basket
- 1 HSB1218B 12" x 18" Basket
- 1 HSB1224B 12" x 24" Basket
- 1 HSS2414G Shoe Rack
- 3 HSH01SH 1" Snap Hook
- 6 HSH04SH 4" Snap Hook
- 3 HSH06SH 6" Snap Hook
- 3 HSH08SH 8" Snap Hook

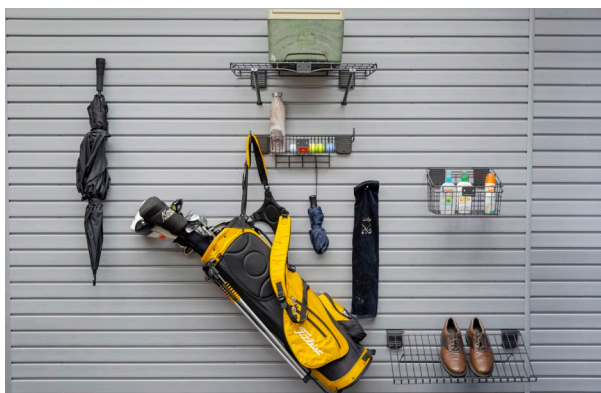
PART #	DESCRIPTION	Carton Weight	Carton L x W x H	QTY
HSIAKWL	Intermediate Accessory Kit 30 pcs.	35½ lbs.	25" x 16" x 12½"	1

HandiKITS™



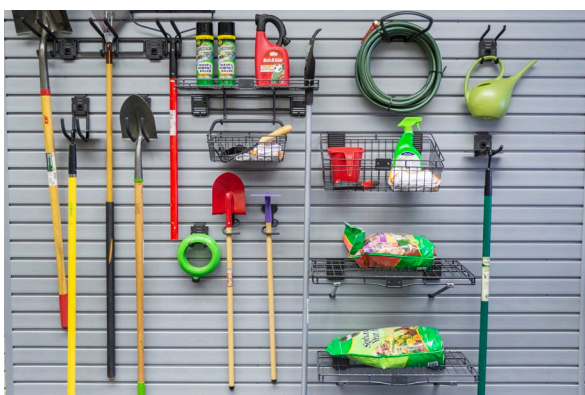
- | | | | |
|-------------|-----------------|------------|------------------|
| 1 HSS1448B | 14" x 48" Shelf | 2 HSB0812B | 8" x 12" Basket |
| 1 HSS1424B | 14" x 24" Shelf | 1 HSB1218B | 12" x 18" Basket |
| 2 HSH03SBWL | 24" Tool Bar | 1 HSB1224B | 12" x 24" Basket |
| 4 HSH04DBWL | 4" Double Hook | 2 HSS2414G | Shoe Rack |
| 2 HSH06JBWL | 6" J Hook | 6 HSH01SH | 1" Snap Hook |
| 1 HSH04LBWL | 4" Loop Hook | 6 HSH04SH | 4" Snap Hook |
| 2 HSH08LBWL | 8" Loop Hook | 6 HSH06SH | 6" Snap Hook |
| 3 HSH08DBWL | 8" Double Hook | 3 HSH08SH | 8" Snap Hook |

PART #	DESCRIPTION	Carton Weight	Carton L x W x H	QTY
HSDAKWL	Deluxe Accessory Kit 43 pcs.	70 lbs.	15" x 23" x 50"	1



- | | |
|-------------|-----------------------|
| 1 HSS1424B | 14" x 24" Shelf |
| 1 HSGAHB | Golf Accessory Holder |
| 1 HSH04DBWL | 4" Double Hook |
| 1 HSB0812B | 8" x 12" Basket |
| 1 HSS2414G | Shoe Rack |
| 1 HSH04SH | 4" Snap Hook |

PART #	DESCRIPTION	Carton Weight	Carton L x W x H	QTY
HSGAK	Golf Accessory Kit 6 pcs.	16½ lbs.	19" x 11" x 25"	1



- | | |
|-------------|---------------------|
| 1 HSGCNL | Garden Center |
| 1 HSH03SBWL | 24" Tool Bar |
| 2 HSH06JBWL | 6" J Hook |
| 1 HSDUHBWL | Double Utility Hook |
| 1 HSH04DBWL | 4" Double Hook |
| 2 HSSHKB | S Hook |
| 2 HSS1424B | 14" x 24" Shelf |
| 1 HSB1218B | 12" x 18" Basket |
| 1 HSH08LBWL | 8" Loop Hook |
| 1 HSH08DBWL | 8" Double Hook |

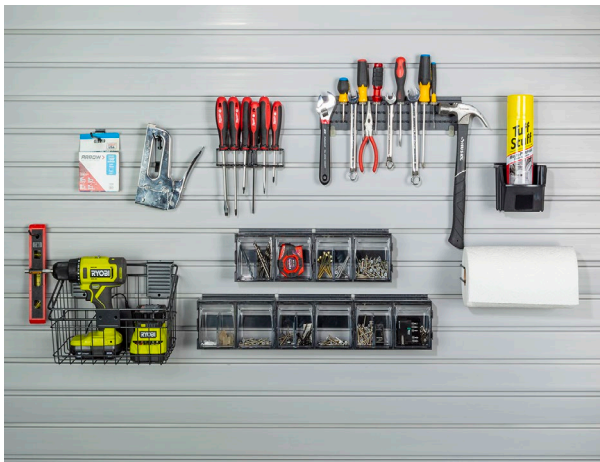
PART #	DESCRIPTION	Carton Weight	Carton L x W x H	QTY
HSGCKWL	Garden Center Kit 13 pcs.	34 lbs.	25" x 15¼" x 10¾"	1

HandiKITS™



- 1 HSH06JBWL 6" J Hook
- 1 HSH04DBWL 4" Double Hook
- 3 HSH08DBWL 8" Double Hook
- 1 HSTAH Tennis Accessory Holder
- 1 HSLSB3426B Handi Mesh Large Storage Basket
- 1 HSHBRNL Horizontal Bike Rack
- 1 HSB0812B 8" x 12" Basket

PART #	DESCRIPTION	Carton Weight	Carton L x W x H	QTY
HSSPKWL	Sports Accessory Kit 9 pcs.	Box 1, 16 lbs. Box 2, 13½ lbs.	Box 1, 19" x 19" x 19" Box 2, 35" x 12" x 6"	1



- 5 HSTB02X Handi Link Up Tilt Bin
- 1 HSMTP15X00 15" Handi Magnetic ToolPAD
- 1 HSSDHB Screwdriver Rack
- 1 HSB0812B 8" x 12" Basket
- 3 HSH04SH 4" Snap Hook
- 1 HSMPRH Multi Purpose Roll Holder
- 1 HSPUBX Plastic Utility Bin

PART #	DESCRIPTION	Carton Weight	Carton L x W x H	QTY
HSWBK-G	Work Bench Accessory Kit 13 pcs., Gray	12 lbs.	14" x 9½" x 24½"	1
HSWBK-B	Work Bench Accessory Kit 13 pcs., Black	12 lbs.	14" x 9½" x 24½"	1
HSWBK-GR	Work Bench Accessory Kit 13 pcs., Graphite	12 lbs.	14" x 9½" x 24½"	1
HSWBK-BW	Work Bench Accessory Kit 13 pcs., Beachwood	12 lbs.	14" x 9½" x 24½"	1

The new Work Bench Accessory kit will have color-matched accessories of the Handi Link Up Tilt Bins, Handi Magnetic ToolPAD, and Plastic Utility Bin.

HandiSPACES™ Kits



Framed HandiWALL® Kits

HandiSPACES™ Kits are designed for use in multiple areas in the home such as the laundry room, office, kids room, pantry, basement, and garage. Miter cut trim, color-coded screws, and color-coded color strips (to completely hide the screws) are included to complete the framed look of the kit.

We want to make it as easy as possible for you to plan out your organization needs and be able to order all-in-one to save you time and space. Our kits have it all!

4x2 Framed HandiWALL® Kit

PART #	DESCRIPTION
HSHWK14X2	4x2 Framed HandiWALL® Kit, White
HSHWK24X2	4x2 Framed HandiWALL® Kit, Taupe
HSHWK34X2	4x2 Framed HandiWALL® Kit, Gray
HSHWK44X2	4x2 Framed HandiWALL® Kit, Black
HSHWK134X2	4x2 Framed HandiWALL® Kit, Graphite
HSHWK144X2	4x2 Framed HandiWALL® Kit, Beachwood
HSHWK174X2	4x2 Framed HandiWALL® Kit, Driftwood Slate

1 Carton @ 13 lbs. 49" x 12" x 6"	
2 pcs.	48" HandiWALL® Panels
4 pcs.	Miter cut Large J Trims
50 pcs.	Color-coded Screws
7 pcs.	Color Strips

4x4 Framed HandiWALL® Kit

PART #	DESCRIPTION
HSHWK14X4	4x4 Framed HandiWALL® Kit, White
HSHWK24X4	4x4 Framed HandiWALL® Kit, Taupe
HSHWK34X4	4x4 Framed HandiWALL® Kit, Gray
HSHWK44X4	4x4 Framed HandiWALL® Kit, Black
HSHWK134X4	4x4 Framed HandiWALL® Kit, Graphite
HSHWK144X4	4x4 Framed HandiWALL® Kit, Beachwood
HSHWK174X4	4x4 Framed HandiWALL® Kit, Driftwood Slate

1 Carton @ 23 lbs. 49" x 12" x 6"	
4 pcs.	48" HandiWALL® Panels
4 pcs.	Miter cut Large J Trims
75 pcs.	Color-coded Screws
15 pcs.	Color Strips

5x80" Framed HandiWALL® Kit

PART #	DESCRIPTION
HSHWK15X80	5x80" Framed HandiWALL® Kit, White
HSHWK25X80	5x80" Framed HandiWALL® Kit, Taupe
HSHWK35X80	5x80" Framed HandiWALL® Kit, Gray
HSHWK45X80	5x80" Framed HandiWALL® Kit, Black
HSHWK135X80	5x80" Framed HandiWALL® Kit, Graphite
HSHWK145X80	5x80" Framed HandiWALL® Kit, Beachwood
HSHWK175X80	5x80" Framed HandiWALL® Kit, Driftwood Slate

1 Carton @ 23 lbs. 83" x 14" x 5"	
5 pcs.	80" HandiWALL® Panels
4 pcs.	Miter cut Large J Trims
100 pcs.	Color-coded Screws
18 pcs.	Color Strips

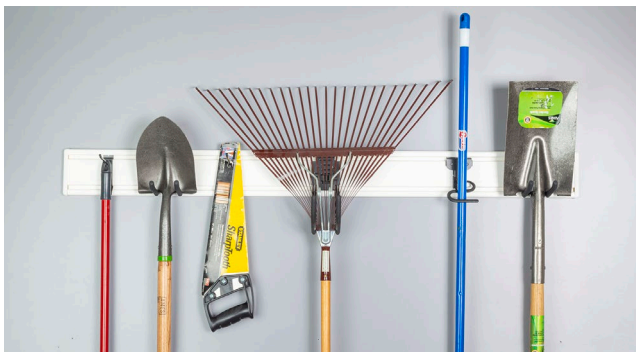
Handi Tool Rail Kits

Handi Tool Rail Kits



Handi Tool Rail Kits are accessory kits designed for use with the Handi Tool Rail where the HandiWALL® panels may not want to be used. These kits come with certain accessories, a Tool Rail and End Caps, and color-matched Color Strips and Drywall Screws. These kits are perfect for smaller or tighter areas where the Handi Tool Rail takes up less space with its footprint. Everything comes complete for installation and it's very quick and convenient to use, handle, and install.

Ships in two cartons - one Tool Rail and one for the accessories.



- 2 HSH04DBWL 4" Double Hook
- 1 HSH06JBWL 6" J Hook
- 1 HSSHKBNL S Hook
- 2 HSH04SH 4" Snap Hook
- 1 HSWTRX50 50" Tool Rail
- 2 HSWTRECX Tool Rail End Cap
- 2 HSCSTX008 49" Color Strip
- 8 HSWSX00X Drywall Screw 1 5/8"

PART #	DESCRIPTION	Carton Weight	Carton L x W x H	QTY
HSWTR150BHK	Handi Tool Rail Basic Hook Kit, 50", White	Box 1, 3 lbs. Box 2, 4 lbs.	Box 1, 52" x 5" x 2" Box 2, 9" x 7" x 4"	1
HSWTR350BHK	Handi Tool Rail Basic Hook Kit, 50", Gray			
HSWTR450BHK	Handi Tool Rail Basic Hook Kit, 50", Black			
HSWTR1450BHK	Handi Tool Rail Basic Hook Kit, 50", Beachwood			



- 2 HSB0812B 8" x 12" Basket
- 1 HSB1218B 12" x 18" Basket
- 1 HSWTRX50 50" Tool Rail
- 2 HSWTRECX Tool Rail End Cap
- 2 HSCSTX008 49" Color Strip
- 8 HSWSX00X Drywall Screw 1 5/8"

PART #	DESCRIPTION	Carton Weight	Carton L x W x H	QTY
HSWTR150SBK	Handi Tool Rail Standard Basket Kit, 50", White	Box 1, 3 lbs. Box 2, 10 lbs.	Box 1, 52" x 5" x 2" Box 2, 26" x 10" x 12"	1
HSWTR350SBK	Handi Tool Rail Standard Basket Kit, 50", Gray			
HSWTR450SBK	Handi Tool Rail Standard Basket Kit, 50", Black			
HSWTR1450SBK	Handi Tool Rail Standard Basket Kit, 50", Beachwood			

Handi Tool Rail Kits



- 4 HSHGH Garment Hook
- 2 HSH04SH 4" Snap Hook
- 1 HSWTRX50 50" Tool Rail
- 2 HSWTRECX Tool Rail End Cap
- 2 HSCSTX008 49" Color Strip
- 8 HSWSX00X Drywall Screw 1 5/8"

PART #	DESCRIPTION	Carton Weight	Carton L x W x H	QTY
HSWTR150GHK	Handi Tool Rail Garment Hook Kit, 50", White	Box 1, 3 lbs. Box 2, 2 lbs.	Box 1, 52" x 5" x 2" Box 2, 5" x 5" x 5"	1
HSWTR350GHK	Handi Tool Rail Garment Hook Kit, 50", Gray			
HSWTR450GHK	Handi Tool Rail Garment Hook Kit, 50", Black			
HSWTR1450GHK	Handi Tool Rail Garment Hook Kit, 50", Beachwood			



- 2 HSMTTP15400 Black 15" Magnetic ToolPAD
- 2 HSTB024 Black Handi Link Up Tilt Bin
- 1 HSWTR450 Black 50" Tool Rail
- 2 HSWTREC4 Black Tool Rail End Cap
- 2 HSCST4008 Black 49" Color Strip
- 8 HSWS400B Black Drywall Screw 1 5/8"

PART #	DESCRIPTION	Carton Weight	Carton L x W x H	QTY
HSWTR450WBK	Handi Tool Rail Work Bench Kit, 50", Black	Box 1, 3 lbs. Box 2, 6 lbs.	Box 1, 52" x 5" x 2" Box 2, 61" x 18" x 9"	1

Handi Tool Rail Kits



- 3 HSHGH Garment Hook
- 2 HSH04SH 4" Snap Hook
- 1 HSH08DBWL 8" Double Hook
- 1 HSB0812B 8" x 12" Basket
- 1 HSWTRX50 50" Tool Rail
- 2 HSWTRECX Tool Rail End Cap
- 2 HSCSTX008 49" Color Strip
- 8 HSWSX00X Drywall Screw 1 5/8"

PART #	DESCRIPTION	Carton Weight	Carton L x W x H	QTY
HSWTR150PBCK	Handi Tool Rail Pickleball Center Kit, 50", White	Box 1, 3 lbs. Box 2, 2 lbs.	Box 1, 52" x 5" x 2" Box 2, 5" x 5" x 5"	1
HSWTR350PBCK	Handi Tool Rail Pickleball Center Kit, 50", Gray			
HSWTR450PBCK	Handi Tool Rail Pickleball Center Kit, 50", Black			
HSWTR1450PBCK	Handi Tool Rail Pickleball Center Kit, 50", Beachwood			



- 1 HSB0312B 3" x 12" Basket
- 1 HSB0812B 8" x 12" Basket
- 1 HSB1218B 12" x 18" Basket
- 1 HSH04DBWL 4" Double Hook
- 1 HSH06JBWL 6" J Hook
- 1 HSH08LBWL 8" Loop Hook
- 1 HSH08DBWL 8" Double Hook
- 2 HSH04SH 4" Snap Hook
- 1 HSWTRX82 82" Tool Rail
- 2 HSWTRECX Tool Rail End Cap
- 2 HSCSTX008 81" Color Strip
- 12 HSWSX00X Drywall Screw 1 5/8"

PART #	DESCRIPTION	Carton Weight	Carton L x W x H	QTY
HSWTR182DSK	Handi Tool Rail Deluxe Storage Kit, 82", White	Box 1, 5 lbs. Box 2, 13 lbs.	Box 1, 85" x 5" x 2" Box 2, 19" x 13" x 10"	1
HSWTR382DSK	Handi Tool Rail Deluxe Storage Kit, 82", Gray			
HSWTR482DSK	Handi Tool Rail Deluxe Storage Kit, 82", Black			
HSWTR1482DSK	Handi Tool Rail Deluxe Storage Kit, 82", Beachwood			

HandiWALL® in Retail

HandiWALL® vs. Standard MDF Slatwall

Comparison of overall cost, durability, and aesthetics

Cost Benefits

Shipping

The freight costs for HandiWALL® are less than MDF slatwall because HandiWALL® is substantially lighter than MDF. **A 4' x 8' panel of MDF slatwall weighs between 80 and 100 lbs - the same size panel of HandiWALL® weighs 38 lbs.** Therefore, the cost of shipping one panel or one pallet of HandiWALL® is significantly less than the cost of standard MDF Slatwall.

Installation

Because of the significant weight differences, HandiWALL® is much easier and quicker to install. Generally speaking, installing standard MDF requires two people, whereas installing HandiWALL® only requires one person. This drastically reduces the amount of man-hours to complete an installation which in turn reduces the overall cost of a build-out or renovation.

Length of Service Life

HandiWALL® offers a much longer service life than standard MDF slatwall. Standard MDF slatwall is generally made of fiberboard, a material that is known to be unreliable over time. HandiWALL® is made entirely out of cellular PVC which retains its structural form over time and will not chip or break like MDF is known to do. This creates savings in that HandiWALL® panels do not need to be replaced nearly as often, if ever, compared to MDF slatwall which notoriously chips, scratches, warps, and disintegrates.

Aesthetics

Retaining the Brand-New Look

HandiWALL® PVC slatwall system is colored throughout, meaning it will never show scratches. MDF slatwall, on the other hand, will always show the slightest imperfection as it only has a thin layer of coloring on the outside of the product. In addition to not showing scratches, HandiWALL® can be cleaned and maintained simply by wiping it down with a damp cloth.

Immune to Water Damage

It is well known that standard MDF slatwall cannot be used outside or in high humidity and must be kept dry at all times, otherwise the product will deteriorate and warp. HandiWALL® is impervious to water damage and can be used for both interior and exterior installations.

Structural Strength

HandiWALL® is **50% stronger** than standard MDF slatwall which allows users to hang more weight from hooks and store heavier items on shelves. When used with the HandiSOLUTIONS® accessories, **HandiWALL® can hold 100 lbs. per square foot.**

HandiWALL® in Retail

Durable. Attractive. Less Costly to Install.



Introducing slatwall with a sleek and subtle monolithic appearance.

Finally, a slatwall panel that helps keep shoppers focused on the merchandise. HandiWALL® PVC Slatwall features color matching grooves and a subtle finish allowing retailers to incorporate a vertical display plan without having to sacrifice style and elegance.

No need for complicated and bulky metal standards to achieve a “floating” product display; our PVC Slatwall panels give retailers the freedom and flexibility of standard slatwall displays without distracting customers with unsightly, off-color horizontal lines.

Save on valuable installation costs as our PVC Slatwall is easier to receive, fabricate, and install than regular MDF slatwall. Incorporate HandiWALL® PVC Slatwall into your next project and never replace another blown out, chipped, or delaminated piece of MDF slatwall again.



HandiWALL® in Retail

Perfect for Retail Store Display

Whether it's for entire wall coverings or stand-alone gondolas and displays, HandiWALL® PVC Slatwall has you covered.



HandiWALL® in Retail

Also Ideal for Hotel/Hospitality, Mobile Tool Storage/Display, Pharmacy, Trade Show Booth Display, Showrooms, and More!

There is no end to where HandiWALL® PVC Slatwall can be used!



HandiWALL® in Manufacturing

Organize Your Manufacturing

Over the years we at HandiSOLUTIONS® have found ourselves using our HandiWALL® in our own manufacturing environment as a way to meet our organization and storage needs while increasing employee output. We have truly put our product to the test in our own plant and it has exceeded our expectations. Now, we want to share our secret to organization with other American manufacturing operations. HandiWALL®, along with the full line of accessories, can help management teams keep staff organized with a storage and organization solution that will work as hard as the businesses it supports.

For the Office

Add versatility and beautiful aesthetics to any office space within your organization.

Add HandiWALL® and HandiACCESSORIES® to executive conference rooms and offices, cubical areas, and plant manager offices to provide much needed storage space and organizational opportunities.

On the Plant Floor

Tools, materials, binders, and any other essential items can be stored and organized for easy access.

Any available wall space can be turned into a convenient organization hub. Simply add a few panels of HandiWALL® and choose from a variety of HandiACCESSORIES® to create the ultimate storage solution.



Maximize Every Inch of Available Space

From small corner break rooms to executive offices, HandiWALL® & HandiACCESSORIES® are designed to organize every workspace within your walls.



MAIL ROOMS



WORK REQUEST STATIONS



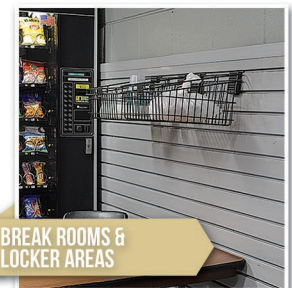
QUALITY ASSURANCE OFFICES



SHIPPING DEPARTMENT OFFICE & STAGING AREA



FIXED & MOBILE WORK STATIONS



BREAK ROOMS & LOCKER AREAS



EXECUTIVE & MANAGER OFFICES



MAINTENANCE OFFICE & WORK AREAS

Ordering Information

Dealer Program:

- Pricing for HandiWALL® is per carton
- All other products are priced as each piece, not carton
- All products sold in full cartons
- Opening order minimum is \$1,000.00
- Subsequent orders minimum is \$500.00
- Freight is F.O.B. Bensenville, IL

Distributor Program:

- This program is restricted to companies that sell HandiSOLUTIONS® to Dealers, and do not install
- Pricing for HandiWALL® is per carton
- All other products are priced as each piece, not carton
- All products sold in full cartons
- Minimum order amount is \$5,000.00
- Freight is F.O.B. Bensenville, IL

Orders:

- All orders must include HandiSOLUTIONS® part numbers, price, and a purchase order number
- For ease of use, it is recommended to use our HS Purchase Order Form

Lead Time:

- Product normally ships within three (3) to five (5) business days upon receipt of approved purchase order
- If any items are to be backordered, customers will be notified immediately for appropriate disposition

Payment Terms:

- The payment terms are net 30 days with an approved account or by credit card

Product Specifications:

- Product availability or pricing are subject to change without notice

Contact us by phone:

- Direct line: 847-640-4732
- Fax Line: 847-572-0675

Contact us by email:

- sales@handisolutions.com
- info@handisolutions.com

Location:

320 County Line Road
Bensenville, IL 60106

Website:

www.handisolutions.com

Restocking Fee:

There is a 15% restocking fee for returned orders



WHITE

TAUPE

GRAY

BLACK

GRAPHITE

BEACHWOOD

DRIFTWOOD SLATE

2024



WWW.HANDISOLUTIONS.COM