

NOTE: Observe all safety precautions and wear all safety equipment before proceeding !

1. The easiest way to install HandiWALL® is from the floor up. Start by locating the wood studs and proceed to install the first piece of HandiWALL®. Be sure to level the HandiWALL® before screwing them into the wooden studs.

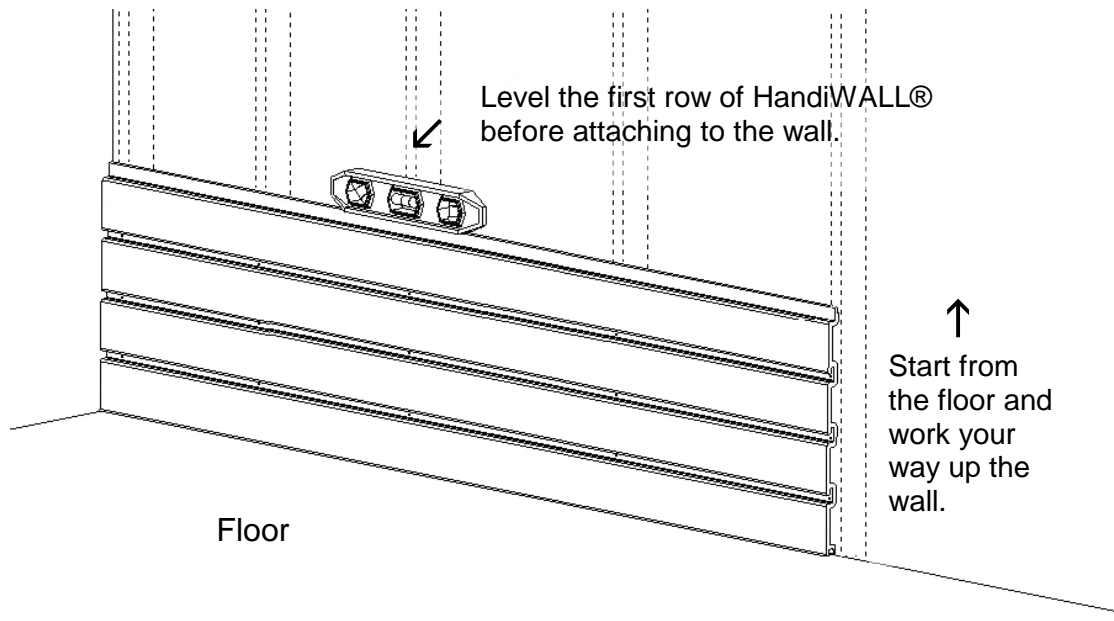


Figure 1. Level HandiWALL® before attaching it to the wall

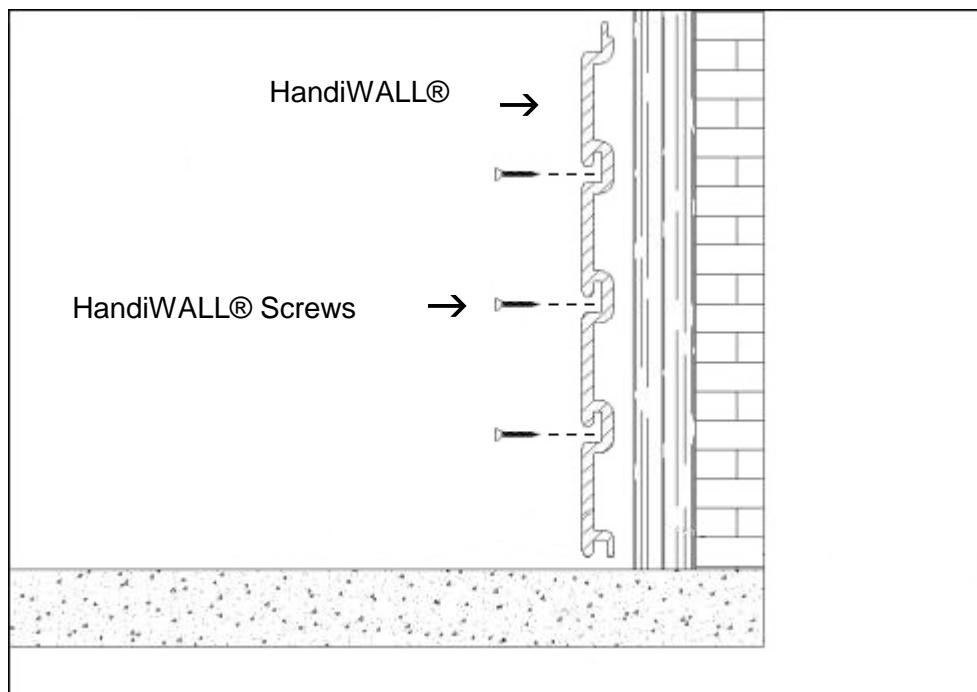


Figure 2. HandiWALL® installation.

2. Proceed to install the next HandiWALL® on top the first leveled row. HandiWALL® can be cut horizontally or vertically to accommodate room dimensions. Preferably using an electric saw with a thin sharp blade for HandiWALL® cutting.

NOTE: Observe all safety precautions and wear all safety equipment before proceeding !

1. The easiest way to install HandiWALL® is from the floor up. Install the first piece of HandiWALL®. Pre-drill the concrete with 5/32 drill bit. Space Tapcons® about 16 inches apart.

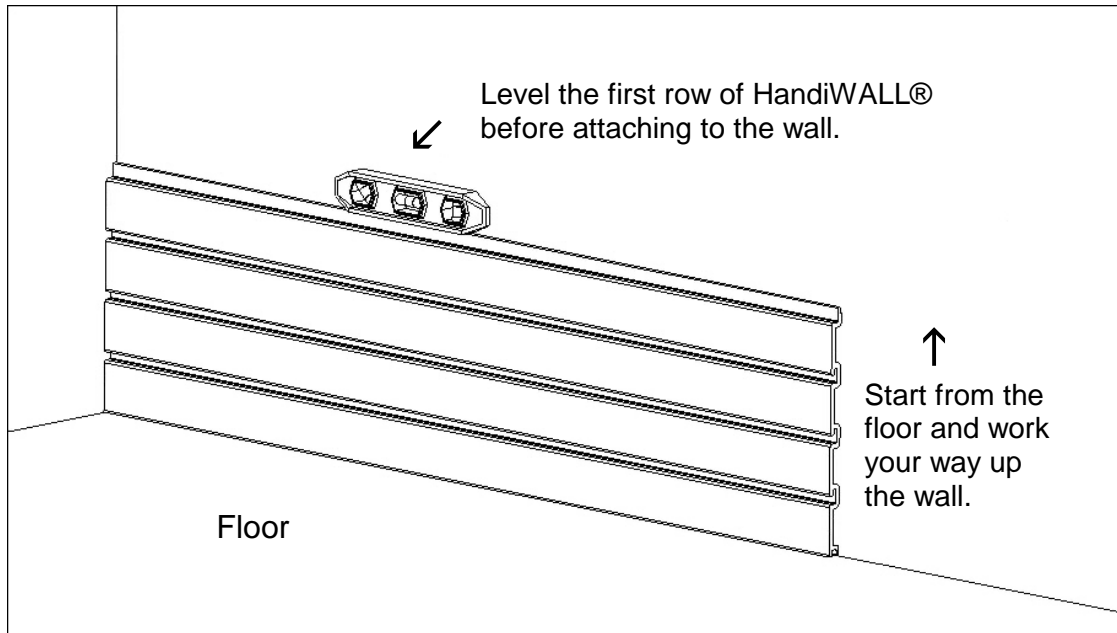


Figure 1. Level HandiWALL® before attaching it to the wall

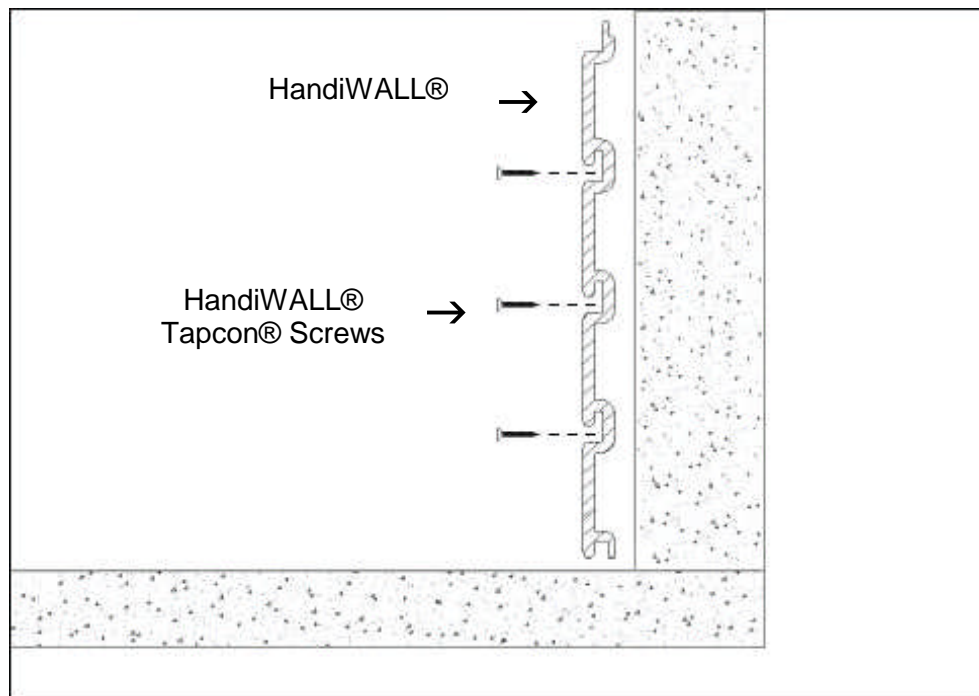


Figure 2. HandiWALL® installation.

2. Proceed to install the next HandiWALL® on top the first leveled row. HandiWALL® can be cut horizontally or vertically to accommodate room dimensions. Preferably using an electric saw with a thin sharp blade for HandiWALL® cutting.